

BDP DUTCH PROFILE CLAY DIGGING BUCKET

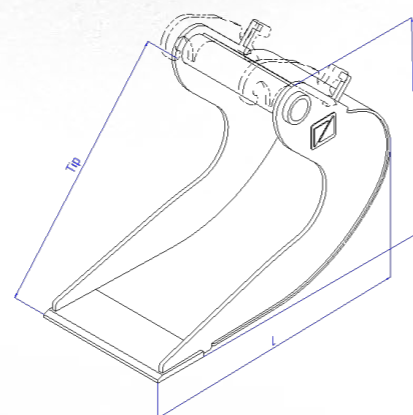


Key features:

- **Optimized Design for Sticky Clay & Rocks:** Ensures smooth material flow, powerful penetration, and effortless scooping.
- **Robust Construction:** Built with high-quality materials to withstand demanding environments and minimize wear on your excavator.
- **Reduced Downtime:** Durable design translates to less time spent on repairs and more time for productivity.
- **Superior Digging & Loading:** Delivers exceptional performance in challenging conditions.
- **Multiple Size Options:** Available in a range of sizes to fit your specific project needs.

Optional features:

- Anti-suction holes
- Tooth version
- HB500 cutting edges as front-sides



Conquer Sticky Soils and Rocky Terrain: The BDP excavator bucket is your champion for challenging environments. Unlike a general-purpose bucket, this specialized attachment tackles **extremely sticky clay soil and rocky conditions** with ease. Its unique design ensures optimal performance and minimizes downtime when encountering tough jobs.



	BDP-20	BDP-30	BDP-40	BDP-50	BDP-60	BDP-90
Machine class [t]	1.2 - 1.8	1.8 - 2.5	2.5 - 4.0	4.0 - 5.0	5.0 - 6.0	6.0 - 10
L / H / Tip	450/387/369	536/466/458	648/524/524	774/624/668	857/682/736	1046/813/900
Width[mm]	SAE / KG	SAE / KG	SAE / KG	SAE / KG	SAE / KG	SAE / KG
220	10 / 21					
250		16 / 30				
300			27 / 50	38 / 67	42 / 75	
400			40 / 60	56 / 79	64 / 88	88 / 126
500						120 / 141