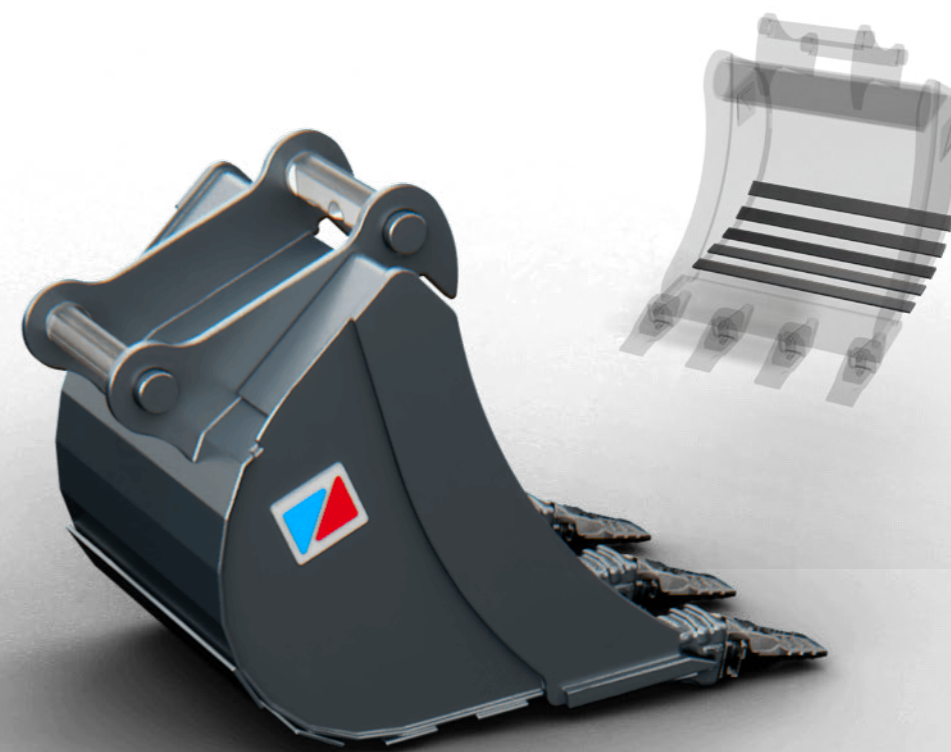
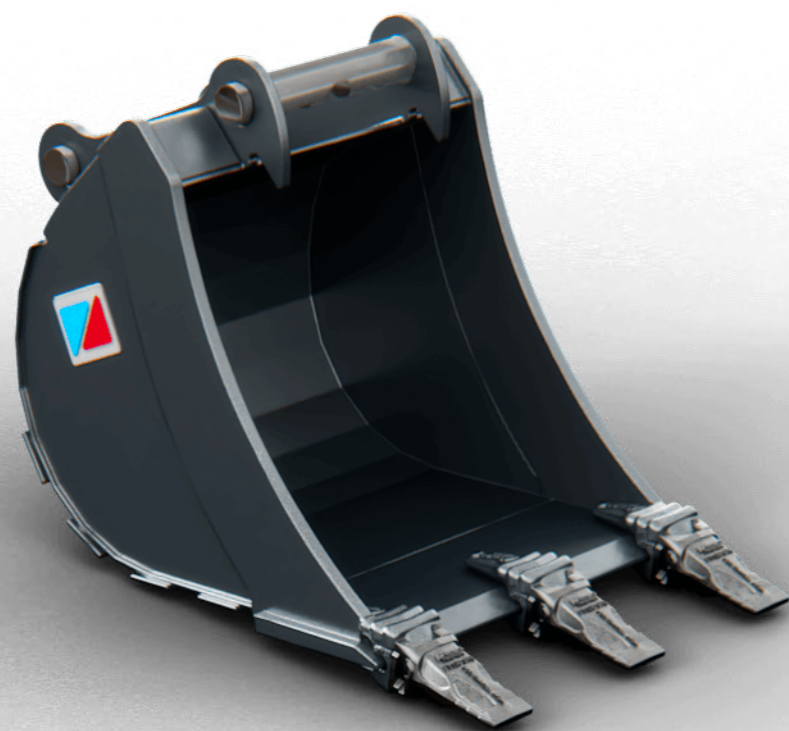


GPL GENERAL PURPOSE DIGGING BUCKET



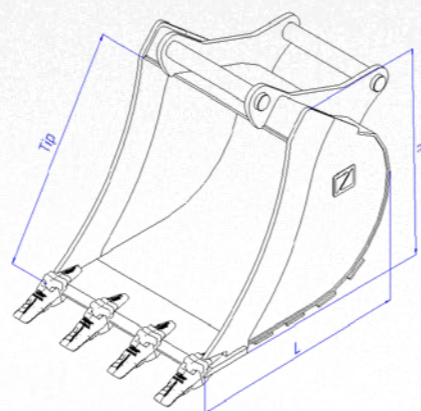
Our General-Purpose Digging Bucket is designed for mini&medi-excavators (0,8 - 9,5 tons), offering a balance between size, strength and performance. It features durable construction and versatile teeth suitable for various soil types. Ideal for digging and trenching, it's built to ensure productivity and longevity.

Key features:

- S355JR2 steel on body
- HB500 cutting edge
- bolt-on teeth system

Optional features:

- Lightweight & durable Hardox version
- Second on-teeth cutting edge
- Welded teeth CAT / ESTI / BYG / ESCO



	GPL-10	GPL-20	GPL-30	GPL-40	GPL-60	GPL-75	GPL-95
Machine class [t]	0.6 - 1.2	1.2 - 1.8	1.8 - 2.5	2.5 - 4.0	4.0 - 6.0	6.0 - 7.5	7.5 - 10.0
L / H / Tip	334/295/296	410/375/370	465/433/438	529/507/518	658/602/611	719/667/667	770/717/716
Width[mm] / Teeth	SAE / KG	SAE / KG	SAE / KG	SAE / KG	SAE / KG	SAE / KG	SAE / KG
250 / 3	14 / 12	20 / 16					
300 / 3	18 / 14	25 / 18	33 / 26	43 / 35	62 / 51	71 / 67	82 / 76
400 / 3	25 / 18	37 / 23	48 / 31	62 / 42	90 / 61	104 / 79	119 / 89
500 / 4	32 / 22	48 / 27	64 / 37	82 / 49	119 / 71	139 / 91	159 / 103
600 / 4		59 / 32	79 / 43	103 / 56	150 / 81	175 / 103	199 / 117
800 / 5				145 / 71	211 / 101	248 / 128	283 / 144
1000 / 5					272 / 121	321 / 152	367 / 172

