

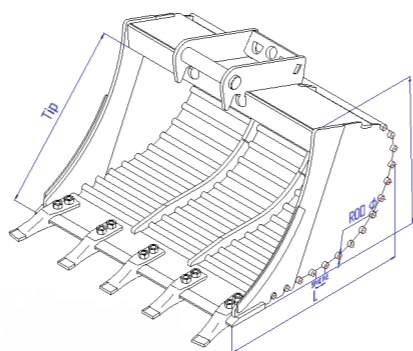
## RGP SKELETON ROD GP BUCKET



**Skeleton Mini-Excavator Bucket** is an advanced solution designed for mini-excavators ranging from 1 to 10 tons. Drawing on the robust design of our GP bucket, it is engineered to deliver superior **performance and versatility** in a compact size. This bucket features a **flat top** for enhanced compatibility with most popular European bracket systems. Customize your digging experience with **rods, ribs, or a perforated bottom**, tailored to your project needs. Additionally, it supports a range of teeth options, including bolted, CAT, BYG, and ESCO, ensuring **compatibility and performance** across different terrains and tasks.

### Main features:

- based on GP bucket,
- steel rods on bottom,
- easy to replace rods,
- hardox rods available,
- special shape rods available,
- sidecutters.



	RGP-20	RGP-30	RGP-40	RGP-60	RGP-95
Machine class [t]	1.2 - 1.8	1.8 - 2.5	2.5 - 4.0	4.0 - 6.0	6.0 - 10
L / H / Tip	433/346/312	574/401/415	670/454/488	752/559/612	882/638/695
Width[mm] / Teeth	SAE / KG	SAE / KG	SAE / KG	SAE / KG	SAE / KG
600 / 4	62 / 40	87 / 58			
800 / 5		123 / 73	157 / 95		
1000 / 5			206 / 116	272 / 138	355 / 176



DF Direct fit OEM bracket

SY MS Reversible

MS

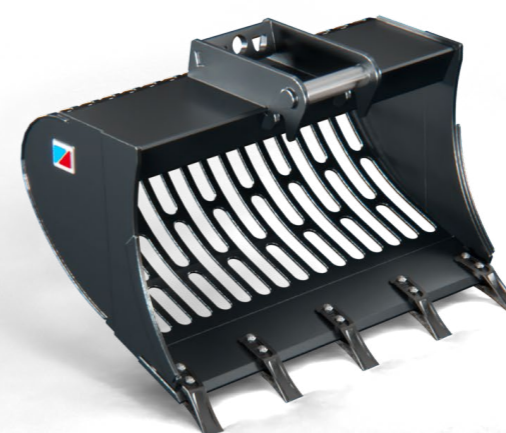
MT Martin

HQ HydroQuick

Open-S system

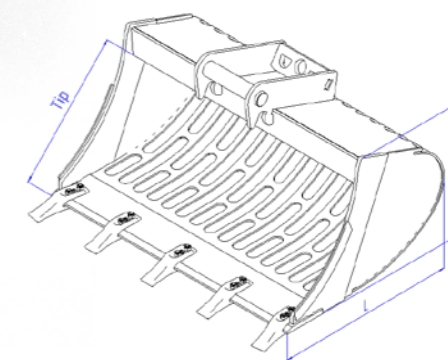
CW

## GPO GP BUCKET WITH OPEN BOTTOM



### Main features:

- based on GP bucket,
- bottom with precision-cut holes,
- S355 and Hardox bottom options.



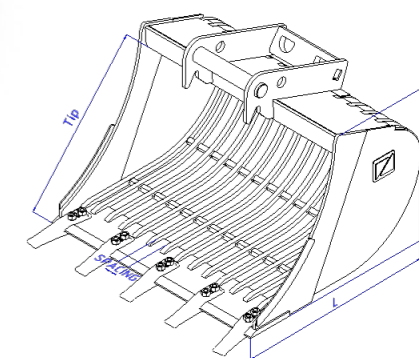
	GPO-20	GPO-30	GPO-40	GPO-60	GPO-95
Machine class [t]	1.2 - 1.8	1.8 - 2.5	2.5 - 4.0	4.0 - 6.0	6.0 - 10
L / H / Tip	433/356/312	572/412/412	669/479/486	755/572/608	881/656/707
Width[mm] / Teeth	SAE / KG	SAE / KG	SAE / KG	SAE / KG	SAE / KG
600 / 4	50/43	64/52	85/70	98/88	
800 / 5	63/53	81/64	106/83	121/97	154/130
1000 / 5			128/99	144/121	183/148

## SGP CLASSIC SKELETON GP BUCKET



### Main features:

- based on GP bucket,
- S355 steel ribs on bottom.



	SGP-20	SGP-30	SGP-40	SGP-60	SGP-95
Machine class [t]	1.2 - 1.8	1.8 - 2.5	2.5 - 4.0	4.0 - 6.0	6.0 - 10
L / H / Tip	434/354/312	572/410/414	669/475/488	759/570/612	881/661/711
Width[mm] / Teeth	SAE / KG	SAE / KG	SAE / KG	SAE / KG	SAE / KG
600 / 4	50 / 49	64 / 64			
800 / 5		81 / 80	106 / 105		
1000 / 5			128 / 129	144 / 147	183 / 185