



MACHINE TOOLS

Buckets and attachments for mini-excavators
quick couplers, buckets, rippers, grading bars



ABOUT US

Located in Ostrołęka, the heart of the Kurpie region, **Hydro-Instal Attachments** stands as a testament to genuine craftsmanship. Our dedication to quality ensures you can **always rely on our products and services**.

Hydro-Instal T.Sieruta B.Sieruta sp.j.
ul. Bohaterów Westerplatte 11
07-410 Ostrołęka
Poland
EU VAT ID: PL7581556948



sieruta.com

info@sieruta.com

Hydro-Instal Ostrołęka team



Founded in 1996



Manufacturing attachments since 2008



More than 45000 attachments delivered



Localised in Poland, 120 km from Warsaw capital & airport



Focus on quality & customer service



BUCKETS & ATTACHMENTS FOR EXCAVATORS AND LOADERS

© 2024 Hydro-Instal Ostrołęka - sieruta.com - info@sieruta.com

Standard buckets mini-ex set no1

GPL - GENERAL PURPOSE DIGGING BUCKET



Model	Machine class [t]	Width [mm]	Tip radius [mm]
GPL-10	0.6 - 1.2	250 - 500	296
GPL-20	1.2 - 1.8	250 - 600	370
GPL-30	1.8 - 2.5	300 - 600	438
GPL-40	2.5 - 4.0	300 - 800	518
GPL-60	4.0 - 6.0	300 - 1000	611
GPL-75	6.0 - 7.5	300 - 1000	667
GPL-95	7.5 - 10	300 - 1000	716

Designed for efficient excavation of common materials like dirt, gravel, and loose soil, this bucket is ideal for a variety of tasks including trenching, foundation prep, and landscaping projects. Its robust build ensures longevity on the job site.

RGPL - SKELETON ROD GPL BUCKET



Model	Machine class [t]	Width [mm]	Tip radius [mm]
RGPL-20	1.2 - 1.8	600	370
RGPL-30	1.8 - 2.5	600 - 800	438
RGPL-40	2.5 - 4.0	800 - 1000	518
RGPL-60	4.0 - 6.0	800 - 1000	611
RGPL-75	6.0 - 7.5	1000	667
RGPL-95	7.5 - 10	1000	716

Skeleton digging bucket for a mini-excavator, based on GPL bucket, is a attachment designed for sorting and separating materials such as rocks, debris, and aggregates.

GBP - RIGID GRADING & DITCHING BUCKET



Model	Machine class [t]	Width [mm]	Tip radius [mm]
GBP-10	0.6 - 1.2	600 - 1000	291
GBP-20	1.2 - 1.8	800 - 1200	347
GBP-30	1.8 - 2.5	1000 - 1200	384
GBP-40	2.5 - 4.0	1000 - 1400	384
GBP-60	4.0 - 6.0	1200 - 1600	453
GBP-75	6.0 - 7.5	1400 - 1800	493
GBP-95	7.5 - 10	1500 - 1800	547

Rigid grading and ditching bucket is an attachment designed for tasks such as ditch maintenance, grading, and slope work.

GBPH - HYDRAULIC TILTING GRADING & DITCHING BUCKET



Model	Machine class [t]	Width [mm]	Tip radius [mm]
GBPH-20	1.2 - 1.8	800 - 1200	525
GBPH-30	1.8 - 2.5	1000 - 1200	583
GBPH-40	2.5 - 4.0	1000 - 1500	656
GBPH-60	4.0 - 6.0	1000 - 1500	764
GBPH-75	6.0 - 7.5	1200 - 1600	812
GBPH-95	7.5 - 10	1500 - 1800	903

Hydraulic-tilting grading and ditching bucket is designed to **enhance** a mini-excavator's **capabilities** in applications such as ditch cleaning, sloping, and contouring. Tilt 45 degrees both ways.

GPL GENERAL PURPOSE DIGGING BUCKET



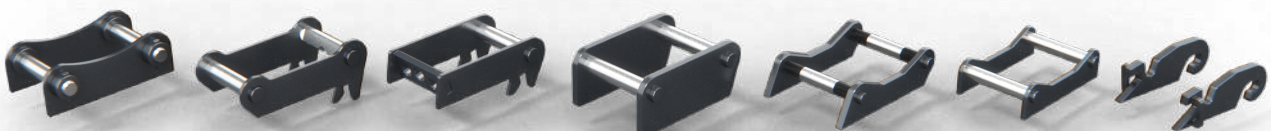
Our General-Purpose Digging Bucket is designed for mini&medi-excavators (0,8 - 9,5 tons), offering a balance between size, strength and performance. It features durable construction and versatile teeth suitable for various soil types. Ideal for digging and trenching, it's built to ensure productivity and longevity.

Key features:

- S355JR2 steel on body
- HB500 cutting edge
- bolt-on teeth system

Optional features:

- Lightweight & durable Hardox version
- Second on-teeth cutting edge
- Welded teeth CAT / ESTI / BYG / ESCO



DF Direct fit OEM bracket

SY MS Reversible

MS

MT Martin

HQ HydroQuick

Open-S system

CW



	GPL-10	GPL-20	GPL-30	GPL-40	GPL-60	GPL-75	GPL-95
Machine class [t]	0.6 - 1.2	1.2 - 1.8	1.8 - 2.5	2.5 - 4.0	4.0 - 6.0	6.0 - 7.5	7.5 - 10.0
L / H / Tip	334/295/296	410/375/370	465/433/438	529/507/518	658/602/611	719/667/667	770/717/716
Width[mm] / Teeth	SAE / KG	SAE / KG	SAE / KG	SAE / KG	SAE / KG	SAE / KG	SAE / KG
250 / 3	14 / 12	20 / 16					
300 / 3	18 / 14	25 / 18	33 / 26	43 / 35	62 / 51	71 / 67	82 / 76
400 / 3	25 / 18	37 / 23	48 / 31	62 / 42	90 / 61	104 / 79	119 / 89
500 / 4	32 / 22	48 / 27	64 / 37	82 / 49	119 / 71	139 / 91	159 / 103
600 / 4		59 / 32	79 / 43	103 / 56	150 / 81	175 / 103	199 / 117
800 / 5				145 / 71	211 / 101	248 / 128	283 / 144
1000 / 5					272 / 121	321 / 152	367 / 172



RGPL SKELETON ROD GPL BUCKET

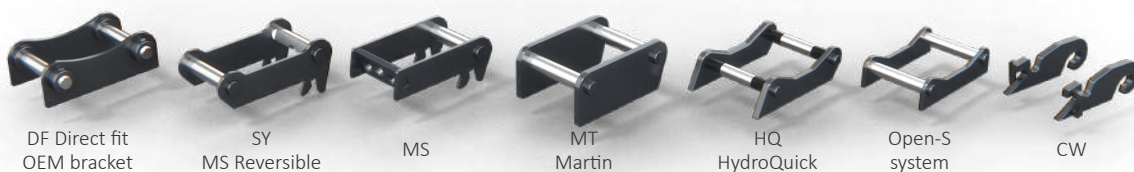
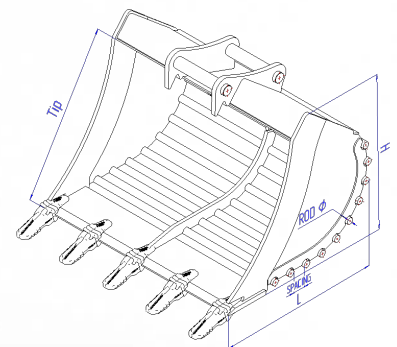


Skeleton Mini-Excavator Bucket is a solution designed for **mini-excavators** ranging from 1 to 10 tons. Drawing on the robust design of our GPL bucket, it is engineered to deliver **superior performance** and versatility in a compact size. This bucket features a top bent section for enhanced **digging efficiency** and offers the option for a **recessed bracket** to suit various system brackets. Customize your digging experience with **rods, ribs, or a perforated bottom**, tailored to your project needs. Additionally, it supports a **range of teeth** options, including bolted, CAT, BYG, and ESCO, ensuring compatibility and performance across different terrains and tasks.

Main features:

- based on GP bucket,
- steel rods on bottom,
- easy to replace rods,
- hardox rods available,
- special shape rods available.

	RGPL-20	RGPL-30	RGPL-40	RGPL-60	RGPL-75	RGPL-95
Machine class [t]	1.2 - 1.8	1.8 - 2.5	2.5 - 4.0	4.0 - 6.0	6.0 - 7.5	7.5 - 10
L / H / Tip	411/385/370	470/433/438	532/507/518	668/602/609	723/667/667	777/717/716
Width[mm] / Teeth	SAE / KG	SAE / KG	SAE / KG	SAE / KG	SAE / KG	SAE / KG
600 / 4	60 / 29	79 / 44				
800 / 5		110 / 55	145 / 66	211 / 103		
1000 / 5			186 / 81	272 / 127	321 / 168	367 / 178



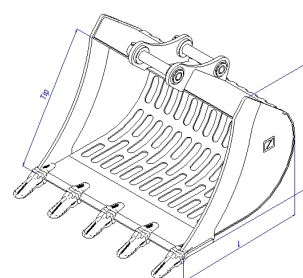
GPLO GPL BUCKET WITH OPEN BOTTOM



Main features:

- based on GPL bucket,
- bottom with precision-cut holes,
- S355 and Hardox bottom options.

	GPLO-20	GPLO-30	GPLO-40	GPLO-60	GPLO-75	GPLO-95
Machine class [t]	1.2 - 1.8	1.8 - 2.5	2.5 - 4.0	4.0 - 6.0	6.0 - 7.5	7.5 - 10
L / H / Tip	410/375/370	465/433/438	529/507/518	658/602/611	719/667/667	770/717/716
Width[mm] / Teeth	SAE / KG	SAE / KG	SAE / KG	SAE / KG	SAE / KG	SAE / KG
600 / 4	59 / 32	79 / 43	103 / 56	150 / 81	175 / 103	
800 / 5	70 / 43	110 / 55	145 / 71	211 / 101	248 / 128	283 / 144
1000 / 5				272 / 121	321 / 152	367 / 172



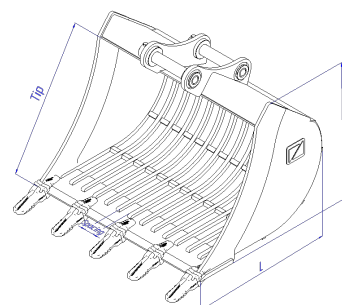
SGPL HEAVY DUTY SKELETON GPL BUCKET



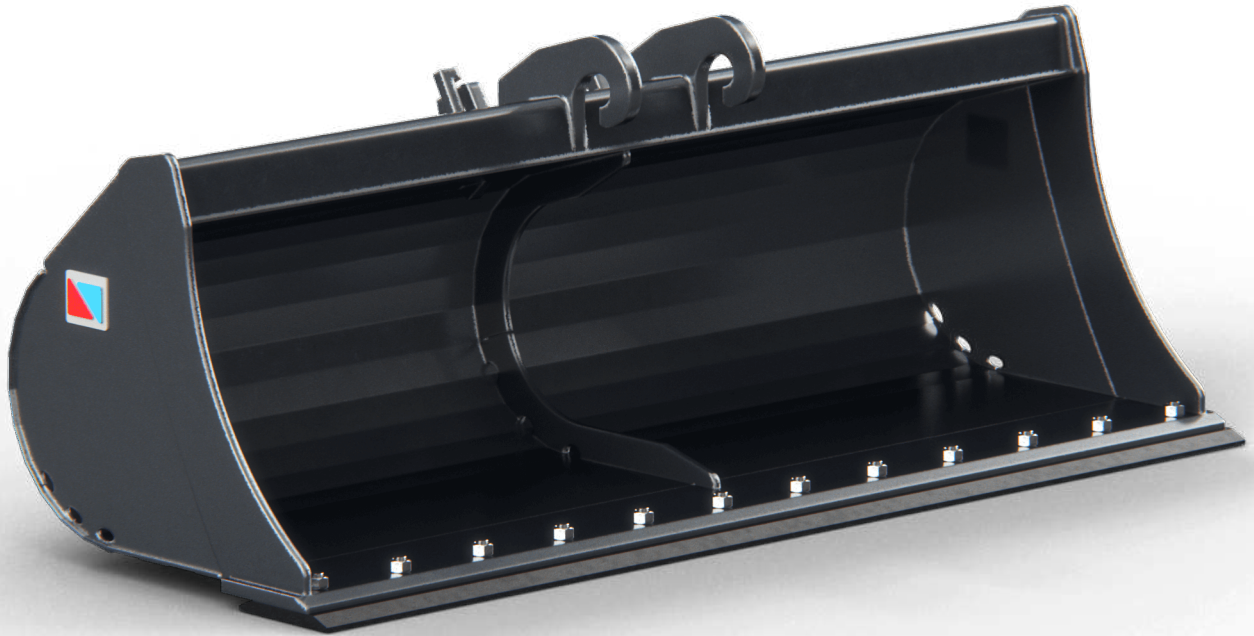
Main features:

- based on GPL bucket,
- S355 steel ribs on bottom.

	SGPL-20	SGPL-30	SGPL-40	SGPL-60	SGPL-75	SGPL-95
Machine class [t]	1.2 - 1.8	1.8 - 2.5	2.5 - 4.0	4.0 - 6.0	6.0 - 7.5	7.5 - 10
L / H / Tip	411/385/370	470/433/438	532/507/518	668/602/609	723/667/667	777/717/716
Width[mm] / Teeth	SAE / KG	SAE / KG	SAE / KG	SAE / KG	SAE / KG	SAE / KG
600 / 4	60 / 26	79 / 40				
800 / 5		110 / 50	145 / 60	211 / 93		
1000 / 5			186 / 73	272 / 115	321 / 151	367 / 160



GBP RIGID GRADING & DITCHING BUCKET

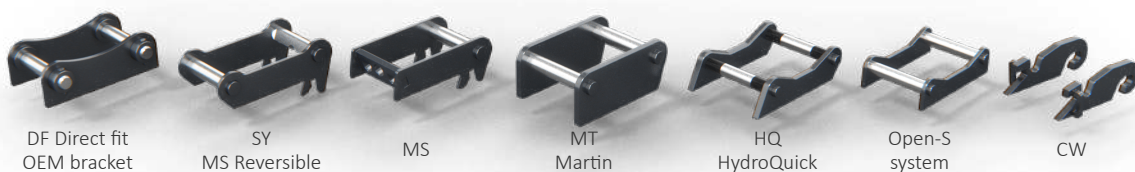
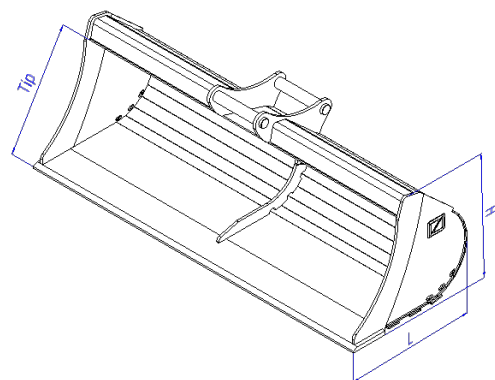


Base features:

- **HB500** cutting edge
- **Reinforcement bevel**
- **Round inner profile** for smooth material handling
- Top bent section
- Drainage holes
- Protected weld seams at bottom

Optional features:

- **Recessed adapter** bracket
- HB400 **reversible cutting edge** RCE
- HB500 **rear cutting edge**
- **Frontside** cutting edges HB500
- Wear bars



DF Direct fit
OEM bracket

SY
MS Reversible

MS

MT
Martin

HQ
HydroQuick

Open-S
system

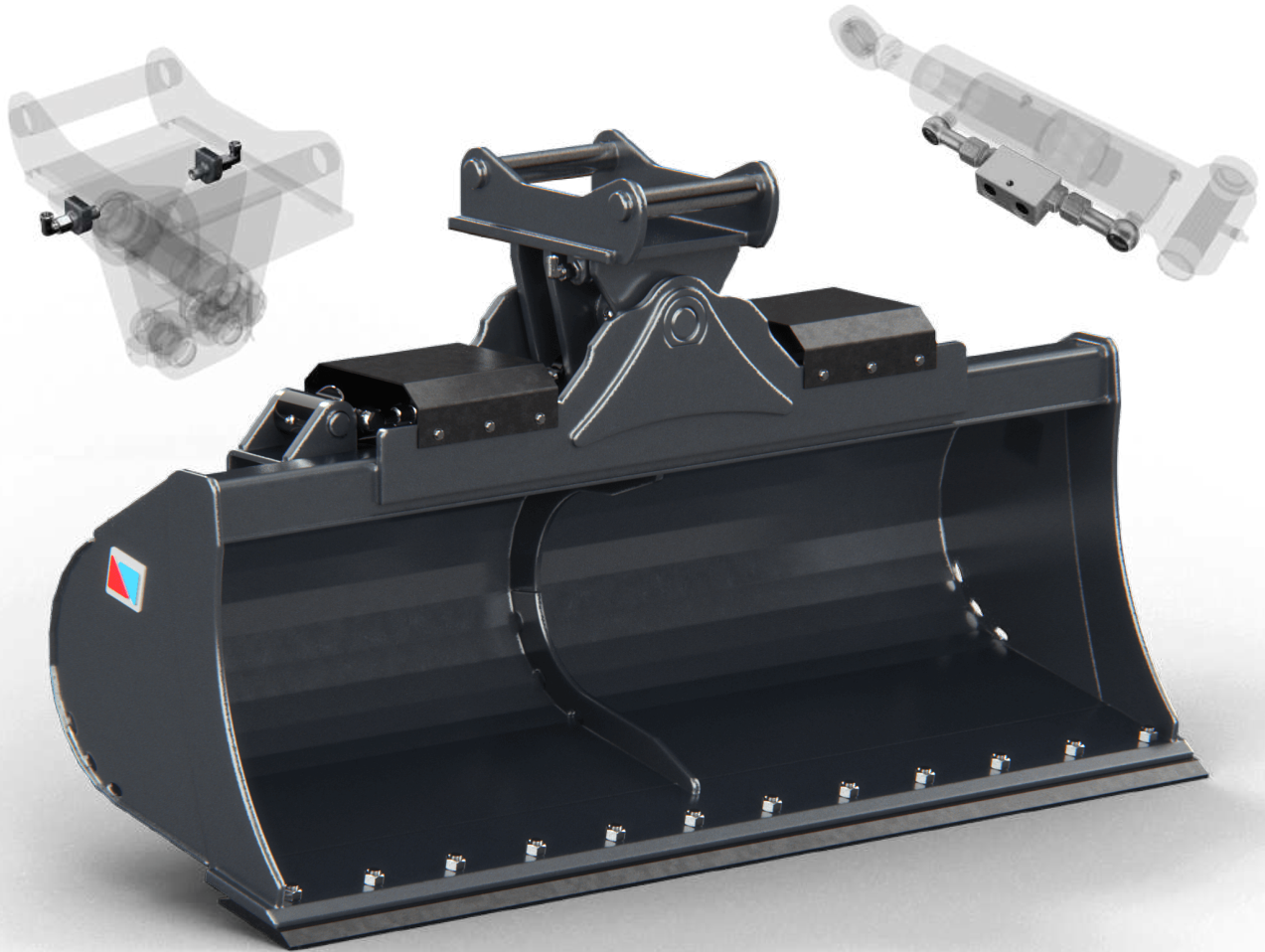
CW



The Rigid Grading and Ditching Bucket is tailored for mini-excavators and is optimal for tasks like ditch maintenance, grading, and creating slopes. It's available in sizes from 600 mm to 1800 mm, with capacities from 42 dm³ to 504 dm³. Constructed from S355JR2 and Hardox steel and other high-quality materials, this bucket is built to last, featuring a HB500 cutting edge for extra durability. Its rigid top section ensures stability, while wear bars minimize wear on bucket's bottom. A bolt-on cutting edge is available for extended use, and other special features like suction relief holes for sticky soil or drainage holes.

	GBP-10	GBP-20	GBP-30	GBP-40	GBP-60	GBP-75	GBP-95
Machine class [t]	0.6 - 1.2	1.2 - 1.8	1.8 - 2.5	2.5 - 4.0	4.0 - 6.0	6.0 - 7.5	7.5 - 10
L / H / Tip	344/326/309	386/372/364	456/423/402	456/423/402	547/494/471	591/546/524	675/630/576
Width[mm]	SAE / KG	SAE / KG	SAE / KG	SAE / KG	SAE / KG	SAE / KG	SAE / KG
600	42 / 28						
800	59 / 36	75 / 45					
1000	76 / 44	97 / 54	127 / 74	127 / 74			
1200		119 / 64	156 / 87	156 / 87	211 / 111		
1400				185 / 99	250 / 127	295 / 156	
1500					270 / 135	318 / 165	412 / 230
1600					290 / 143	342 / 175	442 / 243
1800						389 / 195	504 / 270

GBPH HYDRAULIC GRADING & DITCHING BUCKET

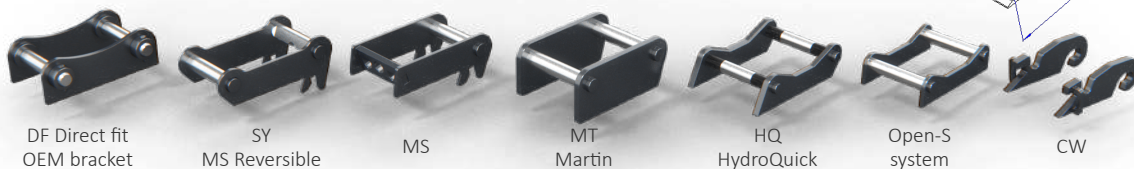
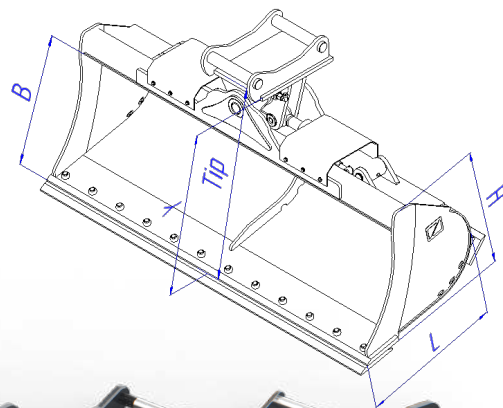


Base features:

- Top bent section
- **2x45 degree tilt**
- Inner reinforcement bezel
- **HB500 cutting edge**
- **Double pilot check valve** for safety and holding angle
- Optimized weight & capacity
- Optimal Hydraulic **Hose Routing** & Length
- Standard **hydraulic connectors** on adapter plate
- **Replaceable bushings**
- Protected weld seams at bottom
- Drainage holes

Optional features:

- **Reversible cutting edge** HB400
- Rear cutting edge HB500
- Wear bars
- **Cylinder guard** / spill guard
- Additional reinforcement bevel
- HB500 cutting edges as front-sides
- **Recessed bracket** for higher breakout force



DF Direct fit
OEM bracket

SY
MS Reversible

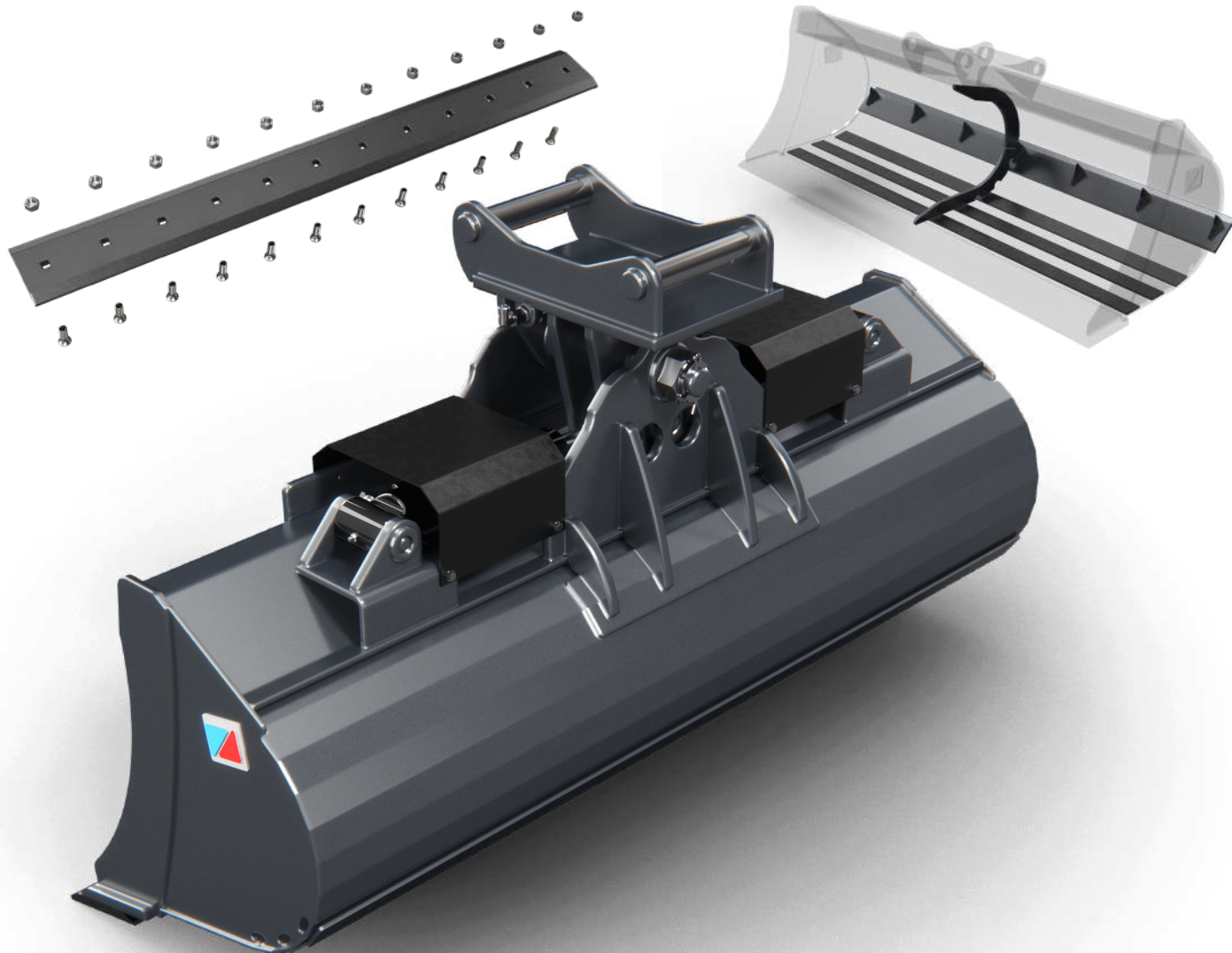
MS

MT
Martin

HQ
HydroQuick

Open-S
system

CW



The Hydraulic-Tilting Grading and Ditching Bucket offers precise control for mini-excavator grading tasks such as ditch cleaning and contouring. It tilts up to **45 degrees** for efficient work on **uneven terrain** and is compatible with excavators from 1.2 to 9.5 tons. The bucket features **durable construction** with a full-length bottom wear pads and **replaceable pivot bushings**. Optionally equipped with a reversible bolt-on cutting edge and additional features like spill guards, this attachment is designed for a **seamless fit** with major brands and to boost productivity.

	GBPH-20	GBPH-30	GBPH-40	GBPH-60	GBPH-75	GBPH-95
Machine class [t]	1.2 - 1.8	1.8 - 2.5	2.5 - 4.0	4.0 - 6.0	6.0 - 7.5	7.5 - 10
L / H / Tip	344/326/525	386/372/583	456/423/656	547/494/764	591/546/812	675/630/903
Width[mm]	SAE / KG	SAE / KG	SAE / KG	SAE / KG	SAE / KG	SAE / KG
800	59 / 75					
1000	76 / 83	97 / 95	127 / 134	171 / 197		
1200	92 / 91	119 / 105	156 / 147	211 / 213	247 / 228	
1400			185 / 160	250 / 229	295 / 248	
1500			199 / 166	270 / 237	318 / 258	412 / 353
1600					342 / 268	442 / 366
1800						504 / 393

Standard buckets mini-ex set no2

GP - GENERAL PURPOSE DIGGING BUCKET



Model	Machine class [t]	Width [mm]	Tip radius [mm]
GP-10	0.6 - 1.2	250 - 500	238
GP-20	1.2 - 1.8	250 - 600	318
GP-30	1.8 - 2.5	300 - 600	489
GP-40	2.5 - 4.0	300 - 800	573
GP-60	4.0 - 6.0	300 - 1000	611
GP-95	6.0 - 10	300 - 1000	800

Designed for **optimal performance** in various terrains, it tackles common excavation tasks in dirt, gravel, and loose materials. This **versatile attachment** maximizes machine productivity for **trenching, foundation prep, and general landscaping** projects.

RGP - SKELETON GPL BUCKET GPO SGP



Model	Machine class [t]	Width [mm]	Tip radius [mm]
RGP-20	1.2 - 1.8	600	312
RGP-30	1.8 - 2.5	600 - 800	415
RGP-40	2.5 - 4.0	800 - 1000	488
RGP-60	4.0 - 6.0	1000	612
RGP-95	6.0 - 10	1000	695

Skeleton digging bucket for a mini-excavator designed for **sorting and separating** materials such as rocks, debris, and aggregates.

GB - RIGID GRADING & DITCHING BUCKET



Model	Machine class [t]	Width [mm]	Tip radius [mm]
GB-10	0.6 - 1.2	600 - 1000	238
GB-20	1.2 - 1.8	800 - 1200	309
GB-30	1.8 - 2.5	1000 - 1200	348
GB-40	2.5 - 4.0	1000 - 1400	400
GB-60	4.0 - 6.0	1200 - 1600	445
GB-90	6.0-10	1500 - 1800	479

Rigid grading & ditching bucket with a flat top. Useful for tasks such as **ditch maintenance, grading, and slope** work.

GBH - HYDRAULIC TILTING GRADING & DITCHING BUCKET



Model	Machine class [t]	Width [mm]	Tip radius [mm]
GBH-10	0.6 - 1.2	600 - 1000	462
GBH-20	1.2 - 1.8	800 - 1200	555
GBH-30	1.8 - 2.5	1000 - 1200	599
GBH-40	2.5 - 4.0	1000 - 1500	686
GBH-60	4.0 - 6.0	1200 - 1600	763
GBH-90	6.0-10	1500 - 1800	808

Hydraulic-tilting grading & ditching bucket offers the ability to tilt up to **45 degrees** in either direction, allowing for **precise and efficient** work.

GP

GENERAL PURPOSE BUCKET - FLAT TOP

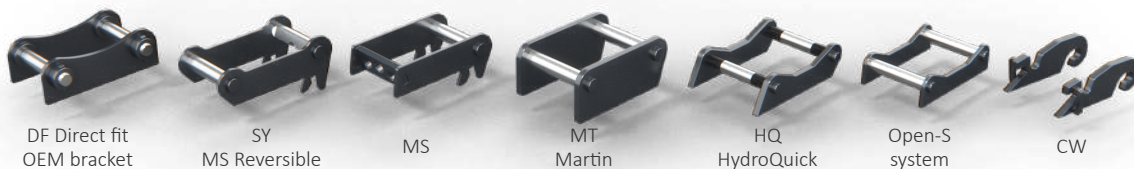
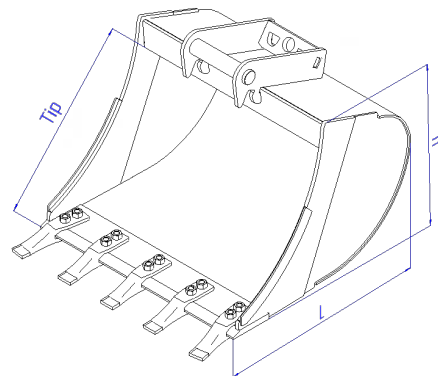


Base features:

- **Double radius** optimized **design**
- **Double conical** optimized **design**
- **Sidecutters** increasing efficiency
- **Bolt-on teeth** / no teeth
- **Frontsides** (model 4+)
- **Protected weld seams** bottom-sides
- **Flat top** design

Optional features:

- Welded teeth (CAT, BYG, MTG, and other)
- Wear bars





Our **General-Purpose Digging Bucket** is designed for mini & midi-excavators (**0.8 - 9.5 tons**), offering a balance between size, strength, and performance. Featuring a **double radius** and **double conical shape**, this bucket optimizes **fuel consumption** while maintaining excellent **digging capabilities**. Its durable construction and versatile teeth make it suitable for various soil types, ideal for **digging and trenching**. This attachment is built to ensure productivity and longevity on your **next excavation project**.

	GP-10	GP-20	GP-30	GP-40	GP-60	GP-95
Machine class [t]	0.6 - 1.2	1.2 - 1.8	1.8 - 2.5	2.5 - 4.0	4.0 - 6.0	6.0 - 10
L / H / Tip	332/263/238	435/353/318	573/411/489	672/480/573	764/574/611	889/658/800
Width[mm] / Teeth	SAE / KG	SAE / KG	SAE / KG	SAE / KG	SAE / KG	SAE / KG
250 / 3	12 / 14	21 / 22				
300 / 3	15 / 16	27 / 25	36 / 33	46 / 47	60 / 58	100 / 86
400 / 3	22 / 20	29 / 28	53 / 40	69 / 56	93 / 68	119 / 91
500 / 4	28 / 24	39 / 31	71 / 47	91 / 65	126 / 78	162 / 97
600 / 4		51 / 37	88 / 55	114 / 74	159 / 89	205 / 109
800 / 5				159 / 93	226 / 110	291 / 134
1000 / 5					292 / 130	377 / 160

RGP SKELETON ROD GP BUCKET

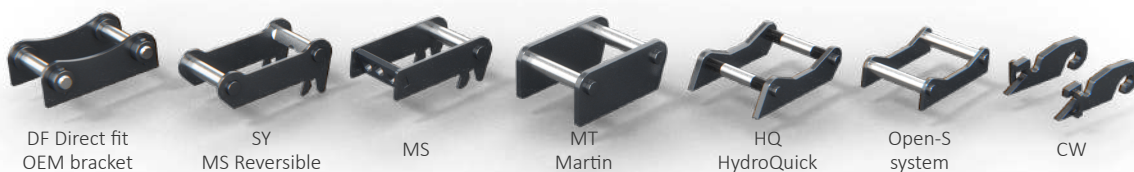
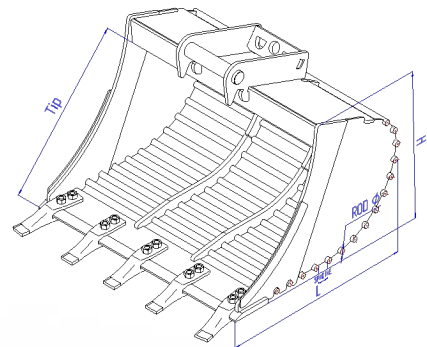


Skeleton Mini-Excavator Bucket is an advanced solution designed for mini-excavators ranging from 1 to 10 tons. Drawing on the robust design of our GP bucket, it is engineered to deliver superior **performance and versatility** in a compact size. This bucket features a **flat top** for enhanced compatibility with most popular European bracket systems. Customize your digging experience with **rods, ribs, or a perforated bottom**, tailored to your project needs. Additionally, it supports a range of teeth options, including bolted, CAT, BYG, and ESCO, ensuring **compatibility and performance** across different terrains and tasks.

Main features:

- based on GP bucket,
- steel rods on bottom,
- easy to replace rods,
- hardox rods available,
- special shape rods available,
- sidecutters.

	RGP-20	RGP-30	RGP-40	RGP-60	RGP-95
Machine class [t]	1.2 - 1.8	1.8 - 2.5	2.5 - 4.0	4.0 - 6.0	6.0 - 10
L / H / Tip	433/346/312	574/401/415	670/454/488	752/559/612	882/638/695
Width[mm] / Teeth	SAE / KG	SAE / KG	SAE / KG	SAE / KG	SAE / KG
600 / 4	62 / 40	87 / 58			
800 / 5		123 / 73	157 / 95		
1000 / 5			206 / 116	272 / 138	355 / 176



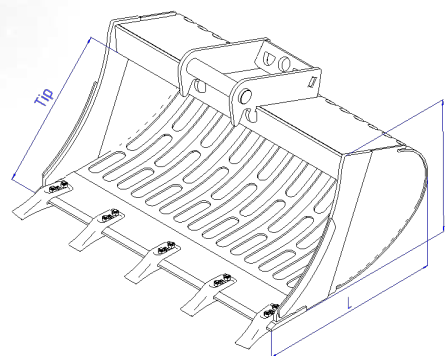
GPO GP BUCKET WITH OPEN BOTTOM



Main features:

- based on GP bucket,
- bottom with precision-cut holes,
- S355 and Hardox bottom options.

	GPO-20	GPO-30	GPO-40	GPO-60	GPO-95
Machine class [t]	1.2 - 1.8	1.8 - 2.5	2.5 - 4.0	4.0 - 6.0	6.0 - 10
L / H / Tip	433/356/312	572/412/412	669/479/486	755/572/608	881/656/707
Width[mm] / Teeth	SAE / KG	SAE / KG	SAE / KG	SAE / KG	SAE / KG
600 / 4	50/43	64/52	85/70	98/88	
800 / 5	63/53	81/64	106/83	121/97	154/130
1000 / 5			128/99	144/121	183/148



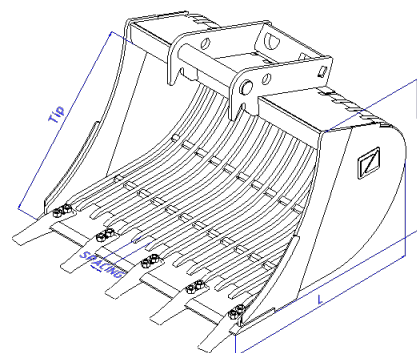
SGP CLASSIC SKELETON GP BUCKET



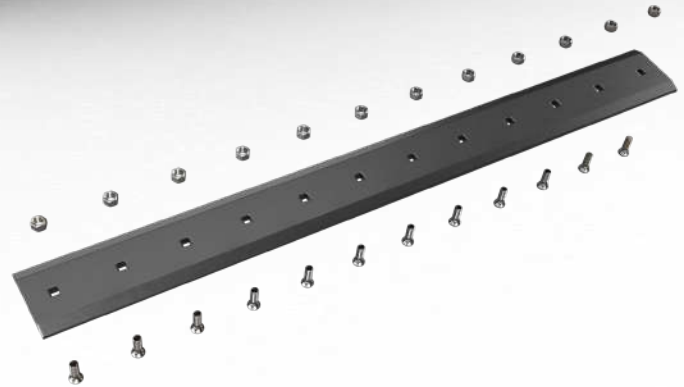
Main features:

- based on GP bucket,
- S355 steel ribs on bottom.

	SGP-20	SGP-30	SGP-40	SGP-60	SGP-95
Machine class [t]	1.2 - 1.8	1.8 - 2.5	2.5 - 4.0	4.0 - 6.0	6.0 - 10
L / H / Tip	434/354/312	572/410/414	669/475/488	759/570/612	881/661/711
Width[mm] / Teeth	SAE / KG	SAE / KG	SAE / KG	SAE / KG	SAE / KG
600 / 4	50 / 49	64 / 64			
800 / 5		81 / 80	106 / 105		
1000 / 5			128 / 129	144 / 147	183 / 185



GB HYDRAULIC SWIVELING GRADING & DITCHING BUCKET - FLAT TOP

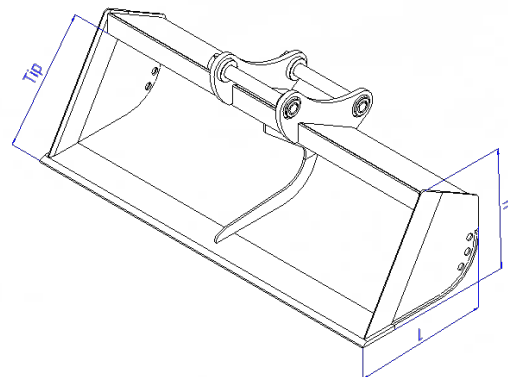


Key features:

- Frontside cutting edges
- Cutting edge HB500
- Inner reinforcement rib
- Flat bottom & roof
- Robust bent section

Optional features:

- Reversible cutting edge HB400
- Rear cutting edge HB500
- Wear bars on bottom
- HB500 cutting edges as frontside



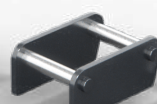
DF Direct fit
OEM bracket



SY
MS Reversible



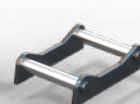
MS



MT
Martin



HQ
HydroQuick



Open-S
system



CW



The Rigid Grading and Ditching Bucket is tailored for mini-excavators and is optimal for tasks like ditch maintenance, grading, and creating slopes. It's available in sizes from 600 mm to 1800 mm, with capacities from 42 dm³ to 504 dm³. Constructed from S355JR2 and Hardox steel and other **high-quality materials**, this bucket is built to last, featuring a HB500 cutting edge for extra durability. It features a **flat top** to enhance compatibility with most popular European mini-excavator **quick-coupler systems**, while optional wear bars minimize wear on bucket's bottom. A **bolt-on cutting edge** is available for extended use, and other special features like suction relief holes for sticky soil or drainage holes.

	GB-10	GB-20	GB-30	GB-40	GB-60	GB-90
Machine class [t]	0.6 - 1.2	1.2 - 1.8	1.8 - 2.5	2.5 - 4.0	4.0 - 6.0	6.0-10
L / H / Tip	289/237/238	357/294/309	407/346/348	446/390/400	507/442/445	559/475/479
Width[mm]	SAE / KG	SAE / KG	SAE / KG	SAE / KG	SAE / KG	SAE / KG
600	28 / 22					
800	39 / 28	57 / 39				
1000	50 / 34	72 / 47	93 / 70	124 / 81		
1200		85 / 55	114 / 82	150 / 94	187 / 111	
1400				176 / 107	220 / 127	
1500					236 / 135	275 / 170
1600					253 / 143	295 / 180
1800						334 / 200

GBH HYDRAULIC GRADING & DITCHING BUCKET

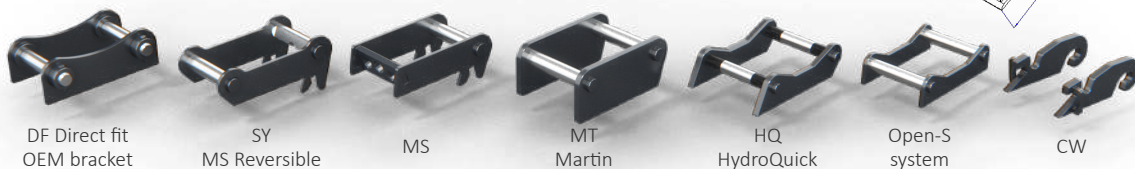
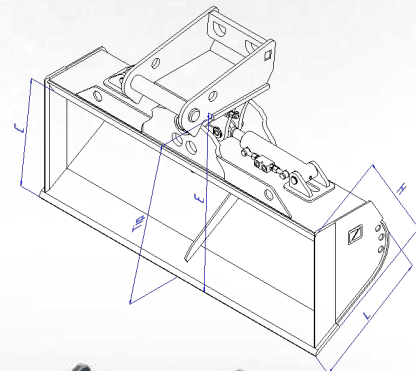


Key features:

- Flat top, bent section inside
- 2x45 degree tilt
- Reinforcement bezel
- Hardox HB500 cutting edge
- **Double pilot check valves** for safety and holding angle
- Optimized weight & capacity
- Optimal Hydraulic Hose Routing & Length
- Standard hydraulic connectors on adapter plate
- Replaceable bushings

Optional features:

- Reversible cutting edge HB400
- Rear cutting edge HB500
- Wear bars on bottom
- Cylinder guard / spill guard
- Additional reinforcement bevel
- HB500 cutting edges as front-sides



DF Direct fit OEM bracket

SY MS Reversible

MS

MT Martin

HQ HydroQuick

Open-S system

CW



Hydraulic-Tilting Grading and Ditching Bucket offers precise control for mini-excavator grading tasks such as **ditch cleaning and contouring**. It tilts up to **45 degrees** for efficient work on **uneven terrain** and is compatible with excavators from 1.2 to 9.5 tons. The bucket features **durable construction** with optional full-length bottom wear pads and **replaceable pivot bushings**. Optionally equipped with a **reversible bolt-on cutting edge** and additional features like spill guards, this attachment is designed for a **seamless fit** with major brands and to **boost productivity**.

	GBH-10	GBH-20	GBH-30	GBH-40	GBH-60	GBH-90
Machine class [t]	0.6 - 1.2	1.2 - 1.8	1.8 - 2.5	2.5 - 4.0	4.0 - 6.0	6.0-10
L / H / Tip	289/237/405	357/294/470	407/346/510	446/390/587	507/442/658	559/475/682
Width[mm]	SAE / KG	SAE / KG	SAE / KG	SAE / KG	SAE / KG	SAE / KG
800	39 / 57	57 / 70				
1000	50 / 63	72 / 78	93 / 101	124 / 128		
1200		85 / 86	114 / 113	150 / 142	187 / 182	
1400				176 / 155	220 / 198	
1500				190 / 162	236 / 206	275 / 267
1600					253 / 214	295 / 277
1800						334 / 297

Dutch buckets mini-ex set 3

BDP - CLAY DIGGING BUCKET



Model	Machine class [t]	Width [mm]	Tip radius [mm]
BDP-20	1.2 - 1.8	220, 400	369
BDP-30	1.8 - 2.5	250, 400	458
BDP-40	2.5 - 4.0	300, 400	524
BDP-50	4.0 - 5.0	300, 400	668
BDP-60	5.0 - 6.0	300, 400	736
BDP-90	6.0 - 9.0	400, 500	900

The **BDP** (Banaandieplepel) bucket is designed for mini and midi-excavators tackling tough challenges in extremely sticky clay soil and rocky conditions. Unlike a general-purpose bucket, the BDP excels in these environments due to its unique design.

SB - GRADING & DITCHING BUCKET



Model	Machine class [t]	Width [mm]	Tip radius [mm]
SB - 10	0.6 - 1.2	600 - 800	275
SB - 20	1.2 - 1.8	800 - 1000	344
SB - 30	1.8 - 2.5	900 - 1200	403
SB - 40	2.5 - 4.0	1000 - 1200	437
SB - 60	4.0 - 6.0	1000 - 1400	491
SB - 75	6.0 - 7.5	1200 - 1600	574
SB - 90	7.5 - 10	1400 - 1800	647

The **SB** (Slotenbak) Dutch Profile Grading/Ditching Bucket is a **high-performance attachment** specifically designed for mini-excavators. It excels at tasks like **precise grading, ditch maintenance, and creating clean slopes** with a distinctive **Dutch profile**. This optimized design delivers superior results compared to a general-purpose bucket when working on these applications.

PDP - SKELETON BDP BUCKET



Model	Machine class [t]	Width [mm]	Tip radius [mm]
PDP-19	0.6 - 1.2	400 - 600	345
PDP-20	1.2 - 1.8	400 - 700	369
PDP-30	1.8 - 2.5	600 - 800	458
PDP-40	2.5 - 4.0	600 - 1000	524
PDP-60	4.0 - 5.0	700 - 1000	668
PDP-7.5	5.0 - 6.0	700 - 1000	736
PDP-90	6.0 - 10	800 - 1200	900

The **PDP** (Puindieplepel) Skeleton Bucket is a **heavy-duty attachment** designed for mini and midi excavators. It is ideal for a **wide range of demanding tasks** including demolition, excavation, sieving, and loading. The PDP bucket stands out from general-purpose buckets due to its **robust construction and superior performance** in these applications.

BDP DUTCH PROFILE CLAY DIGGING BUCKET

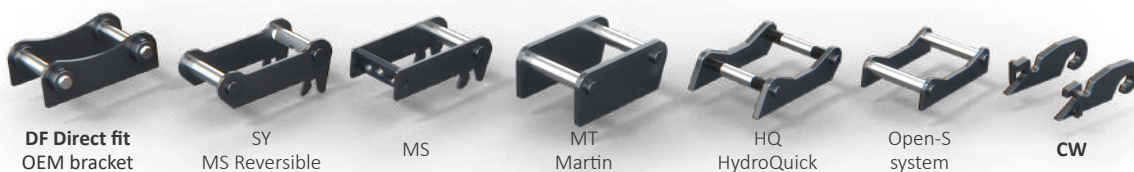
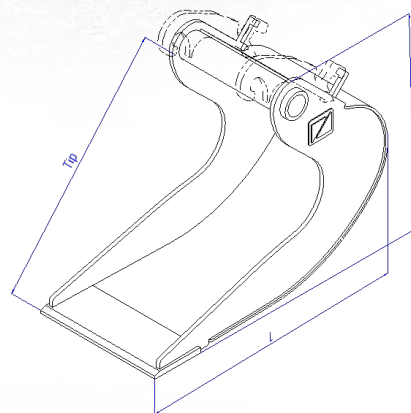


Key features:

- **Optimized Design for Sticky Clay & Rocks:** Ensures smooth material flow, powerful penetration, and effortless scooping.
- **Robust Construction:** Built with high-quality materials to withstand demanding environments and minimize wear on your excavator.
- **Reduced Downtime:** Durable design translates to less time spent on repairs and more time for productivity.
- **Superior Digging & Loading:** Delivers exceptional performance in challenging conditions.
- **Multiple Size Options:** Available in a range of sizes to fit your specific project needs.

Optional features:

- Anti-suction holes
- Tooth version
- HB500 cutting edges as frontsides



DF Direct fit
OEM bracket

SY
MS Reversible

MS

MT
Martin

HQ
HydroQuick

Open-S
system

CW



Conquer Sticky Soils and Rocky Terrain: The BDP excavator bucket is your champion for challenging environments. Unlike a general-purpose bucket, this specialized attachment tackles **extremely sticky clay soil and rocky conditions** with ease. Its unique design ensures optimal performance and minimizes downtime when encountering tough jobs.

	BDP-20	BDP-30	BDP-40	BDP-50	BDP-60	BDP-90
Machine class [t]	1.2 - 1.8	1.8 - 2.5	2.5 - 4.0	4.0 - 5.0	5.0 - 6.0	6.0 - 10
L / H / Tip	450/387/369	536/466/458	648/524/524	774/624/668	857/682/736	1046/813/900
Width[mm]	SAE / KG	SAE / KG	SAE / KG	SAE / KG	SAE / KG	SAE / KG
220	10 / 21					
250		16 / 30				
300			27 / 50	38 / 67	42 / 75	
400			40 / 60	56 / 79	64 / 88	88 / 126
500						120 / 141

SB DITCHING/GRADING BUCKET DUTCH PROFILE

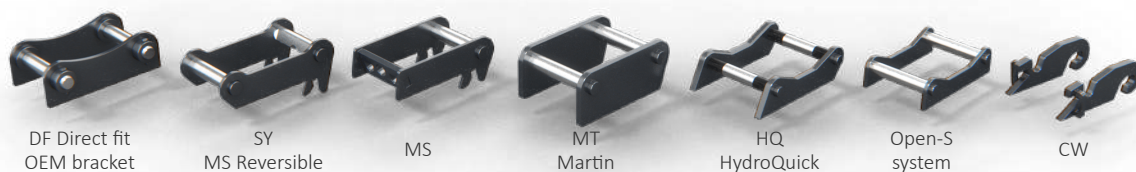
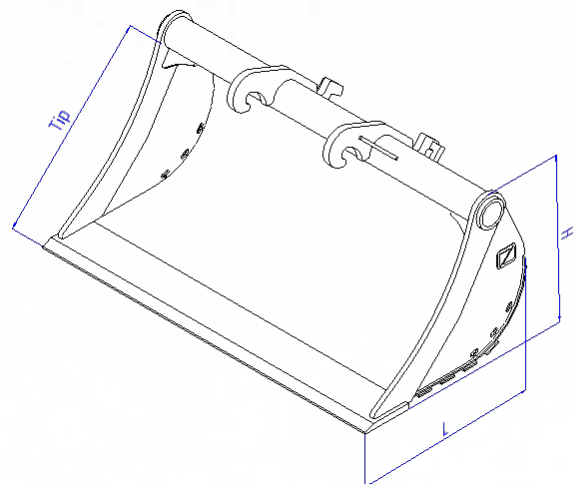


Key features:

- **Optimized Profile** for Dutch conditions
- **Drainage holes**
- **HB500 cutting edge**

Optional features:

- HB400 reversible cutting edge
- HB500 rear cutting edge
- HB500 wear bars
- Cylinder guard / spill guard
- Additional reinforcement bevel
- HB500 cutting edges as front-sides





Master the Art of Grading: Elevate your mini-excavator's capabilities with the SB Dutch Profile Grading/Ditching Bucket. This high-performance attachment is specifically designed for **precise grading, ditch maintenance, and creating clean slopes** with a distinctive, open **Dutch profile**. Compared to a general-purpose bucket, the SB delivers superior results and increased efficiency for these specialized applications.

	SB-10	SB-20	SB-30	SB-40	SB-60	SB-75	SB-90
Machine class [t]	0.6 - 1.2	1.2 - 1.8	1.8 - 2.5	2.5 - 4.0	4.0 - 6.0	6.0 - 7.5	7.5 - 10
L / H / Tip	342/240/275	402/295/344	473/345/403	549/373/437	603/419/491	674/489/574	770/556/647
Width[mm]	SAE / KG	SAE / KG	SAE / KG	SAE / KG	SAE / KG	SAE / KG	SAE / KG
600	36 / 25						
700	42 / 30						
800	49 / 34	79 / 41					
900		90 / 46	97 / 64				
1000		101 / 52	109 / 70	150 / 91	195 / 104		
1100			120 / 77	168 / 100	217 / 113		
1200			134 / 83	187 / 108	240 / 122	285 / 161	
1300					265 / 133	315 / 175	
1400					285 / 141	345 / 187	460 / 230
1500						370 / 200	500 / 241
1600						400 / 212	540 / 260
1700							579 / 274
1800							616 / 288

PDP STONE/SKELETON BUCKET DUTCH PROFILE

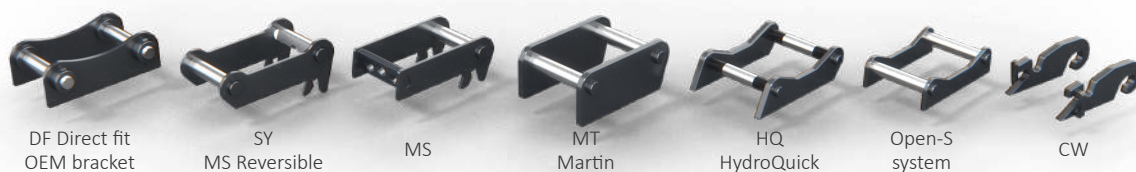
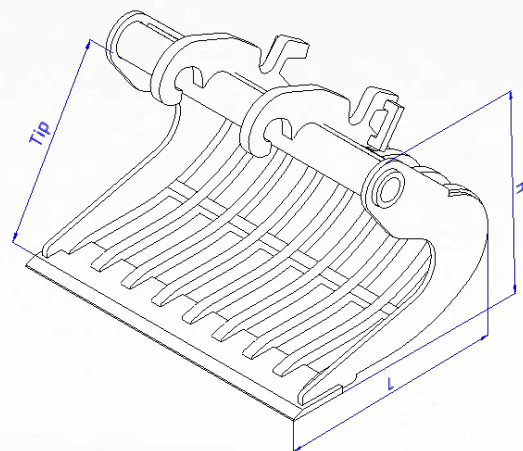


Base features:

- **Robust construction:** Built with high-quality materials to withstand the rigors of tough jobsites.
- Excellent **digging, loading, sieving, and discharge** properties: Ensures efficient operation and productivity.
- **Versatile attachment:** Available in various sizes and configurations to suit specific needs.

Optional features:

- Reversible cutting edge HB400
- Rear cutting edge HB500
- Wear bars



DF Direct fit OEM bracket

SY MS Reversible

MS

MT Martin

HQ HydroQuick

Open-S system

CW



Unleash Demolition Power: For a wide range of demanding tasks, equip your mini or midi-excavator with the PDP (Puindieplepels) Demolition Bucket. This **heavy-duty attachment** tackles **excavation, demolition, sieving, and loading** with exceptional efficiency. Built with robust construction and featuring excellent digging, loading, and sieving properties, the PDP keeps your projects moving forward.

	PDP-10	PDP-20	PDP-30	PDP-40	PDP-60	PDP-75	PDP-90
Machine class [t]	0.6 - 1.2	1.2 - 1.8	1.8 - 2.5	2.5 - 4.0	4.0 - 6.0	6.0 - 7.5	7.5 - 10
L / H / Tip	400/350/345	450/387/369	536/466/458	648/524/524	774/624/668	857/682/735	1046/813/900
Width[mm]	SAE / KG	SAE / KG	SAE / KG	SAE / KG	SAE / KG	SAE / KG	SAE / KG
400	33 / 23	44 / 28					
600	55 / 47	68 / 38	98 / 49	135 / 69			
700		82 / 42	118 / 57	162 / 78	188 / 95	225 / 120	
800			138 / 62	189 / 85	220 / 105	265 / 135	335 / 155
1000				240 / 105	280 / 132	345 / 160	440 / 182
1200							545 / 215

Nordic buckets mini-ex set 4

DS - DEEP DIGGING BUCKET



Model	Machine class [t]	Width [mm]	Tip radius [mm]
DS-20	0.6 - 1.8	300 - 600	454
DS-30	1.8 - 2.5	400 - 600	554
DS-50	2.5 - 5.0	400 - 600	620
DS-60	5.0 - 6.0	500 - 800	703
DS-70	6.0 - 7.0	500 - 800	724
DS-90	7.0 - 10	500 - 1000	873

Tackle tough digging projects in harsh environments. The DS Nordic Profile **General Purpose Deep Digging Bucket** for mini-excavators offers exceptional performance in **rocky terrain and abrasive materials**.

PS - UNIVERSAL GRADING BUCKET FOR TILTROTATOR



Model	Machine class [t]	Width [mm]	Tip radius [mm]
PS-25	1.2 - 5.5	1000 - 1200	407
PS-60	2.5 - 6.0	1200 - 1400	509
PS-80	6.0 - 8.0	1300 - 1800	576
PS-120	8.0 - 12	1400 - 2000	628
PS-180	12 - 18	1400 - 2000	657

Achieve precise results with ease. The PS **Scandinavian Grading Bucket**, designed for mini-excavators and optimized for use with a **tiltrotator**, delivers superior control and maneuverability for intricate **grading and finishing tasks**.

KS - CABLE BUCKET & CABLE BUCKET V-SHAPE



Model	Machine class [t]	Width [mm]	Tip radius [mm]
KS-20	0.6 - 3.0	200 - 400	491
KS-50	3.0 - 5.0	300 - 500	635
KS-100	5.0 - 10	300 - 500	857
KSV-20	0.6 - 3.0	100 - 300	567
KSV-50	3.0 - 5.0	100 - 300	635
KSV-100	5.0 - 10	200 - 400	857

Need a trenching solution for cables and pipes? The KS & KSV **Narrow Trench Buckets** for mini-excavators offer options for both straight (KS) and V-shaped (KSV) trenches. KS delivers **clean, straight cuts**, while KSV's wider top simplifies pipe placement and **reduces soil collapse**.

DS NORDIC DEEP DIGGING BUCKET

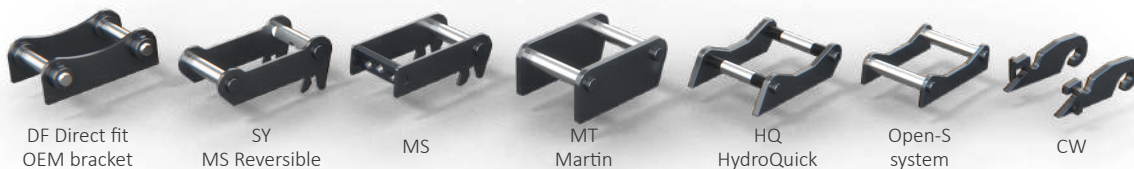
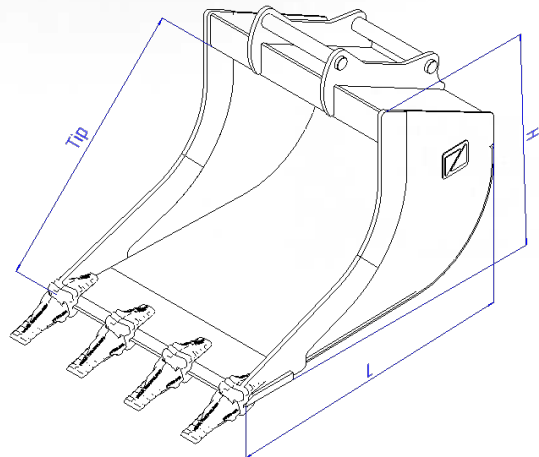


Key features:

- **Nordic Profile:** Optimized design for superior performance in Scandinavian conditions.
- **Exceptional Digging Depth:** Reach new depths efficiently, maximizing productivity and minimizing machine repositioning.
- **Rugged Construction:** Built to withstand demanding applications and extended use.

Optional features:

- **Heavy-Duty Wear Plates:** Extend bucket life significantly when working in highly abrasive environments.



DF Direct fit
OEM bracket

SY
MS Reversible

MS

MT
Martin

HQ
HydroQuick

Open-S
system

CW



The Hydraulic-Tilting Grading and Ditching Bucket offers precise control for mini-excavator grading tasks such as ditch cleaning and contouring. It tilts up to 45 degrees for efficient work on uneven terrain and is compatible with excavators from 1.2 to 9.5 tons. The bucket features durable construction with a full-length bottom wear pads and replaceable pivot bushings. Optionally equipped with a reversible bolt-on cutting edge and additional features like spill guards, this attachment is designed for a seamless fit with major brands and to boost productivity.

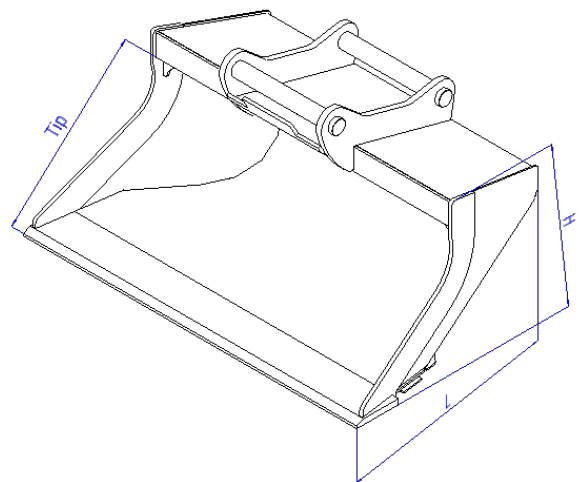
	DS-20	DS-30	DS-50	DS-60	DS-70	DS-90
Machine class [t]	0.6 - 1.8	1.8 - 2.5	2.5 - 5.0	5.0 - 6.0	6.0 - 7.0	7.0 - 10
L / H / Tip	573/425/454	686/489/554	777/539/620	881/612/703	906/724/628	1091/759/873
Width[mm] / Teeth	SAE / KG	SAE / KG	SAE / KG	SAE / KG	SAE / KG	SAE / KG
300 / 3	34 / 31					
400 / 3	51 / 38	66 / 44	75 / 57			
500 / 4	70 / 45	89 / 52	103 / 66	127 / 77	125 / 92	170 / 125
600 / 4	89 / 52	114 / 60	132 / 75	164 / 88	161 / 105	221 / 142
800 / 5				244 / 109	236 / 131	332 / 175
1000 / 5						452 / 209

PS mini UNIVERSAL SCANDINAVIAN GRADING BUCKET



Key features:

- Hardox HB500 cutting edge
- Angled sides for safe rotation inside a dug-out and visibility
- Tiltrotator Compatible
- Double bent section (front & back) for extra rigidity



Optional features:

- HB500 Wear Bars
- Reversible Cutting Edge



DF Direct fit OEM bracket

SY MS Reversible

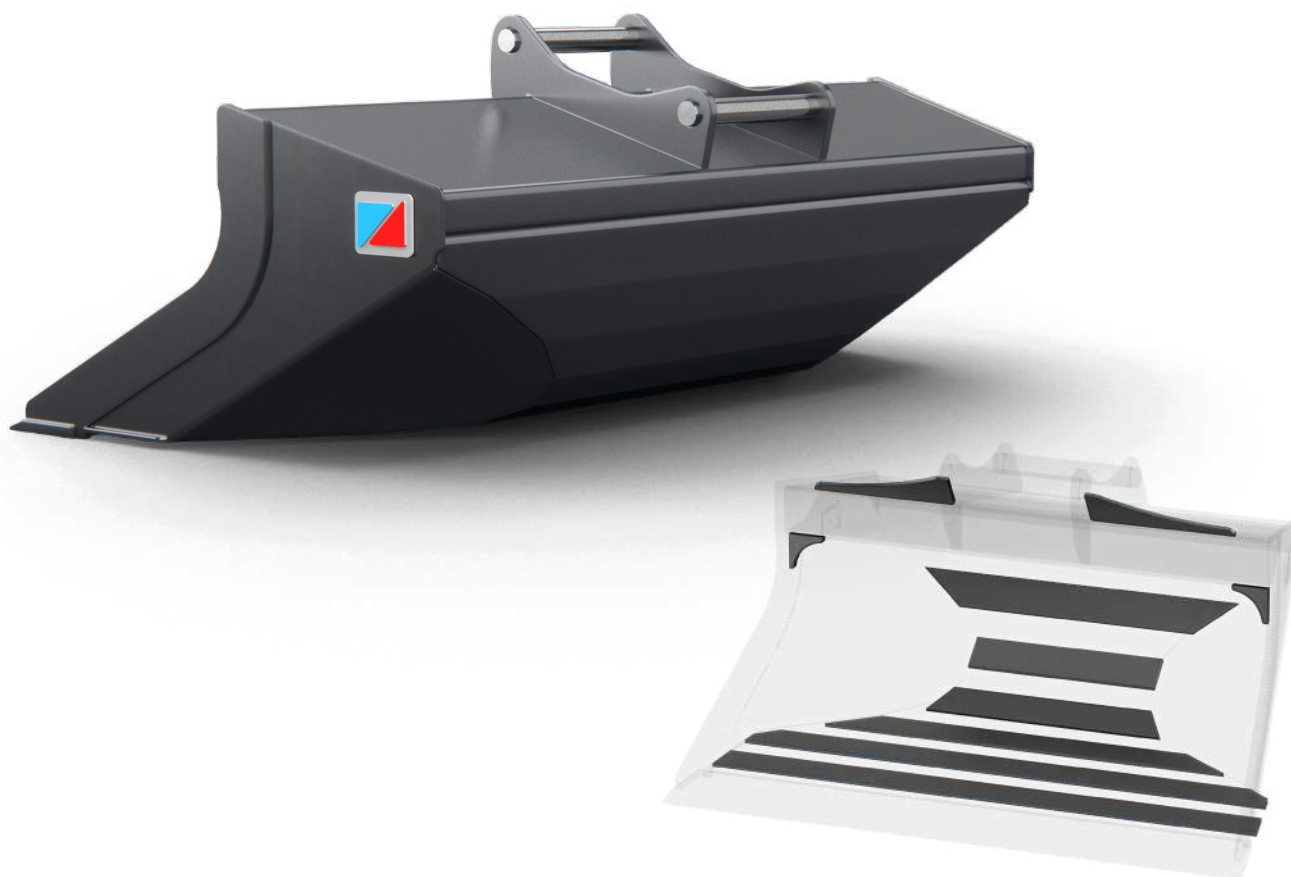
MS

MT Martin

HQ HydroQuick

Open-S system

CW



A planeringskopa (PS) **universal Scandinavian bucket** is a versatile attachment designed for leveling and grading different types of materials. It is a popular choice due to its **low, wide, and long bottom design**, which provides **excellent visibility and optimal performance** in various leveling applications. The following are some features of a planeringskopa universal Scandinavian bucket:

Material: High-strength and durable materials are used in the construction of planeringskopa universal Scandinavian buckets. The bucket's bottom is made from HB400 plate to increase longevity and performance.

Structure: Planeringskopa universal Scandinavian buckets are designed with a low, wide, and long bottom, which is ideal for leveling and grading different types of materials. The bucket's structure provides excellent visibility for the operator, making it easier to achieve precise leveling results.

	PS-25	PS-60	PS-80	PS-120	PS-180
Machine class [t]	1.2 - 2.5	2.5 - 6.0	6.0 - 8.0	8.0 - 12	12.0 - 18
L / H / Tip	570/335/407	695/430/509	800/487/576	860/515/628	907/557/657
Width[mm]	SAE / KG	SAE / KG	SAE / KG	SAE / KG	SAE / KG
1000	112 / 64				
1100	126 / 71				
1200	140 / 77	209 / 107			
1300		232 / 120	295 / 152		
1400		254 / 130	325 / 167	356 / 185	403 / 198
1500			355 / 181	389 / 201	441 / 212
1600			385 / 195	423 / 217	480 / 237
1800			444 / 224	489 / 249	556 / 277
2000				556 / 282	633 / 317

KS NORDIC CABLE BUCKET STRAIGHT PROFILE



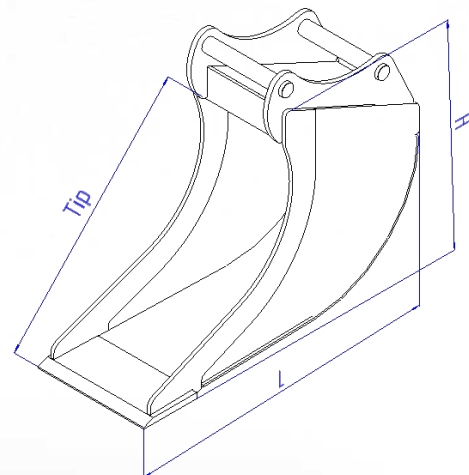
Option

Carve **clean, efficient trenches** for cables and pipes with the **KS & KSV** Kabelskopa (Trench Bucket) for mini-excavators. This versatile duo offers two distinct profiles to **tackle any trenching project** with precision.

The **KS & KSV** is the perfect solution for:

- Utility installations (cables, pipes, conduits)
- Drainage and irrigation systems
- Footing and foundation preparation
- Landscape edging and borders
- Any trenching project requiring precise depth and clean cuts

	KS-20	KS-50	KS-100
Machine class [t]	0.6 - 3.0	3.0 - 5.0	5.0 - 10
L / H / Tip	615/491/418	790/635/533	1075/857/717
Width[mm]	SAE / KG	SAE / KG	SAE / KG
200	19 / 20		
300	33 / 27	53 / 48	101 / 90
400	50 / 34	79 / 57	147 / 105
500		107 / 65	196 / 120



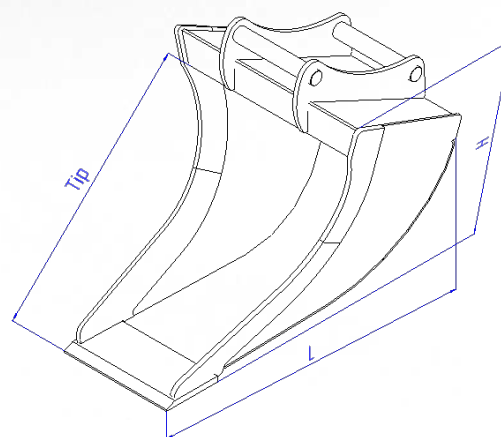
KSV

NORDIC CABLE BUCKET TAPERED V PROFILE



Key features:

- **High-Strength Steel Construction:** Built to last, ensuring durability and performance in demanding excavation tasks.
- **Optimized Depth:** Designed for efficient cable and pipe installations, minimizing excess digging.
- **KS Straight Profile:** Ideal for creating clean, straight trenches with minimal sidewall collapse.
- **KSV V-Shaped Profile:** Provides exceptional efficiency for angled sidewalls, allowing for easier pipe placement and reducing soil collapse.



	KSV-20	KSV-50	KSV-100
Machine class [t]	0.6 - 3.0	3.0 - 5.0	5.0 - 10
L / H / Tip	706/477/567	790/533/635	1075/728/857
Width[mm]	SAE / KG	SAE / KG	SAE / KG
100	17 / 23	22 / 34	
200	36 / 31	48 / 40	101 / 91
300	57 / 40	71 / 35	149 / 107
400			201 / 122

Special buckets mini-ex

CB mini - HYDRAULIC CLAMP DIGGING BUCKET

Model	Machine class [t]	Width [mm]	Tip radius [mm]
CBR-20	1.2 - 1.8	550	322
CBR-30	1.8 - 2.5	600	416
CBR-40	2.5 - 4.0	600	492
CBR-60	4.0 - 6.0	600	654
CBR-95	6.0 - 10	800	643



The Hydraulic Grab Clamp Bucket enhances the functionality of excavators, increasing their efficiency, versatility, and productivity. Its hydraulic jaws securely grip various materials, streamlining operations and material handling tasks.

GKB - DEEP CABLE BUCKET



Model	Machine class [t]	Weight [kg]
GKB-30	1.0 - 3.0	45
GKB-60	3.0 - 6.0	52
GKB-120	6.0 - 12	108

Reach new depths for cable installations with the **GKB Deep Cable Bucket** for mini-excavators. This robust attachment tackles tough conditions and **maximizes efficiency** for deep trenching projects.

RGPR - DEEP SKELETON BUCKET

Model	Machine class [t]	Width [mm]	Tip radius [mm]
RGPR-20	1.2 - 1.8	500	368
RGPR-30	1.8 - 2.5	800	404
RGPR-40	2.5 - 4.0	1000	428
RGPR-60	4.0 - 6.0	1000	477
RGPR-75	6.0 - 7.5	1000	589
RGPR-95	7.5 - 10	1200	624



RGPR is designed for more efficient and faster **separating of materials** such as rocks and debris.

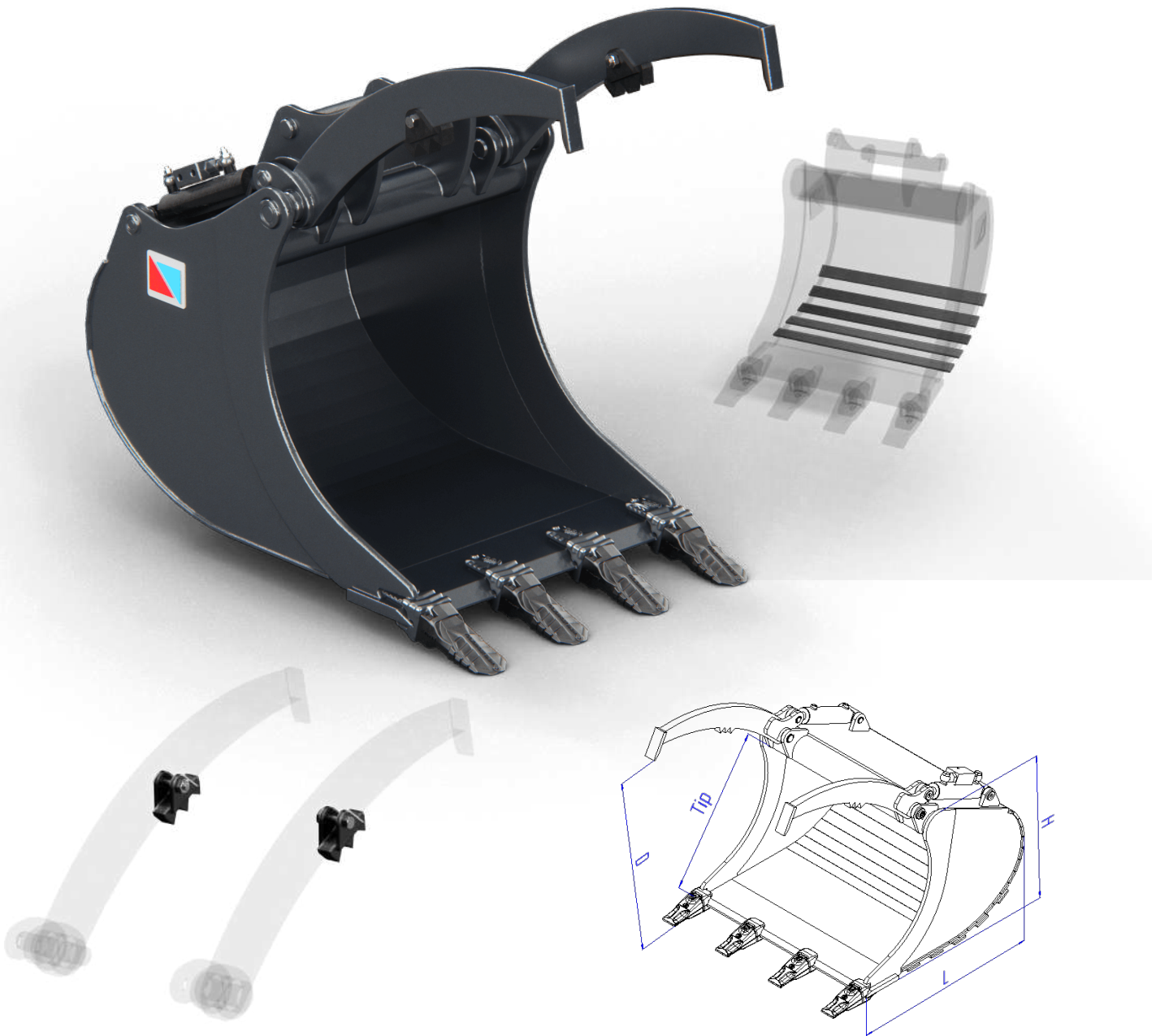
RGB - SKELETON ROD GRADING & SORTING BUCKET



Model	Machine class [t]	Width [mm]	Tip radius [mm]
RGB-30	1.8 - 2.5	1200	329
RGB-40	2.5 - 4.0	1400	397
RGB-60	4.0 - 6.0	1400	417
RGB-90	6.0 - 10	1800	451
RGB-120	10 - 12	1800	505
RGB-160	12 - 16	2000	505

Skeleton grading bucket for a mini-excavator is a specialized attachment designed for sorting and separating materials while also providing grading capabilities.

CB-mini HYDRAULIC CLAMP DIGGING BUCKET



Key features:

- **S355JR2 steel on body**
- **HB500 cutting edge**
- **Strong & durable clamp design**
- **Tiltrotator Compatible**
- **Double pilot check valve** for

safety and work-holding

Optional features:

- Exchangeable grip add-ons
- Skeleton version available



DF Direct fit
OEM bracket

SY
MS Reversible

MS

MT
Martin

HQ
HydroQuick

Open-S
system

CW



Transform Your Mini-Excavator into a Multifunctional Powerhouse: The Clamp Bucket

Equip your mini-excavator for diverse material handling applications with the innovative Clamp Bucket attachment. This hydraulic attachment goes beyond traditional digging, offering exceptional performance for grabbing, sorting, and even light demolition tasks. Its versatility expands your mini-excavator's capabilities, maximizing productivity on any project requiring a multifunctional solution.

The Mini-Excavator Clamp Bucket is ideal for:

- Loading, unloading, and sorting various materials (rocks, pipes, debris, etc.)
- Landscaping projects requiring precise material placement
- Light demolition tasks and clearing brush
- Streamlining workflows in confined spaces
- Any application demanding versatility and efficient material handling

Upgrade your mini-excavator's capabilities and conquer diverse challenges with the Clamp Bucket. Contact us today to explore the perfect fit for your machine!

Model	Machine class [t]	Width [mm]	Weight [kg]	CAP. SAE [l]	Teeth	Adapter	Height [mm]	Tip [mm]	Lenght [mm]	D [mm]	E [mm]
CBR-20	1.2 - 1.8	550	65	52	4	S30	464	322	462	478	350
CBR-30	1.8 - 2.5	600	80	83	4	S40	448	416	557	590	450
CBR-40	2.5 - 4.0	600	107	113	4	S40	547	492	655	792	500
CBR-60	4.0 - 6.0	600	154	156	4	S40	593	654	796	915	600
CBR-90	6.0 - 10	800	202	245	5	S45	670	643	855	982	650

GKB DEEP CABLE BUCKET



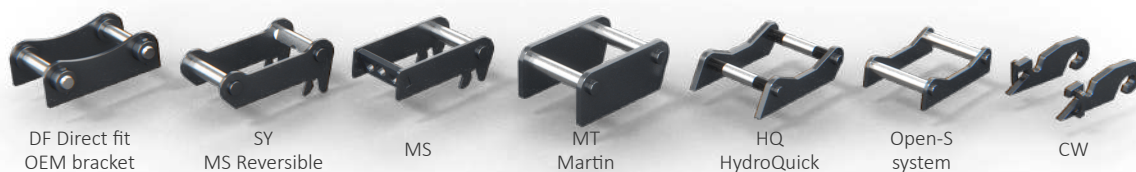
Dominate deep cable installation projects with the GKB (Deep Cable Bucket) for mini-excavators. This heavy-duty attachment tackles challenging depths and harsh environments, allowing you to efficiently lay cables and minimize disruption

The GKB Deep Cable Bucket is the ideal solution for:

- Deep cable trenching for utilities and power lines
- Telecommunication cable installations
- Street and infrastructure projects requiring deep cable placement
- Any excavation project demanding efficient deep trenching

Upgrade your mini-excavator's capabilities and conquer deep cable installations with the GKB Deep Cable Bucket.

Model	Machine class [t]	Weight [kg]	Height [mm]	Tip [mm]	Lenght [mm]	Width [mm]
GKB10	1.0 - 3.0	45	700	735	435	150
GKB20	3.0 - 6.0	52	800	835	460	150
GKB30	6.0 - 12	108	1000	1050	600	200



DF Direct fit
OEM bracket

SY
MS Reversible

MS

MT
Martin

HQ
HydroQuick

Open-S
system

CW

GKB DEEP CABLE BUCKET



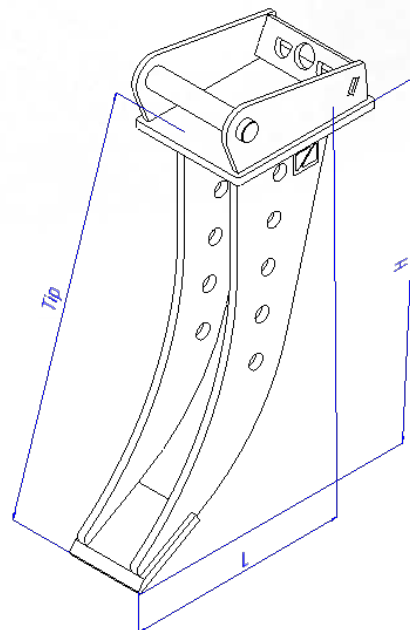
Option

Key features:

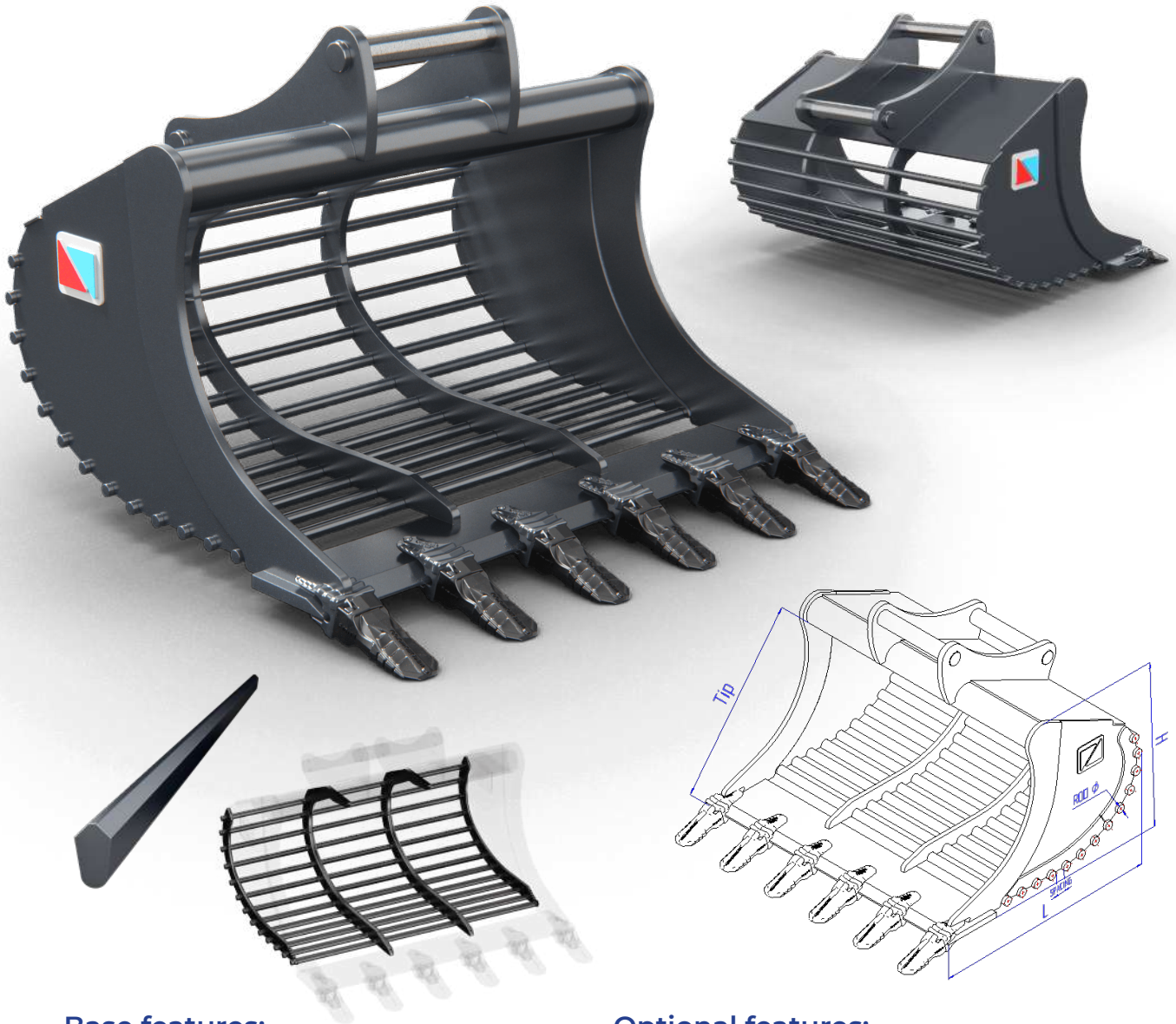
- **Optimized Digging Depth:** Reach significant depths effortlessly, maximizing productivity for deep trenching requirements.
- **Rugged Construction:** Built with high-strength steel for unmatched durability in demanding excavation applications.
- **Narrow Bucket Profile:** Enables precise trench creation while minimizing excess soil removal.

Optional features:

- **Heavy-Duty Wear Plates:** Extend bucket life significantly when working in abrasive soil conditions.



RGPR SKELETON DIGGING BUCKET



Base features:

- C45 steel circular rods
- BYG teeth

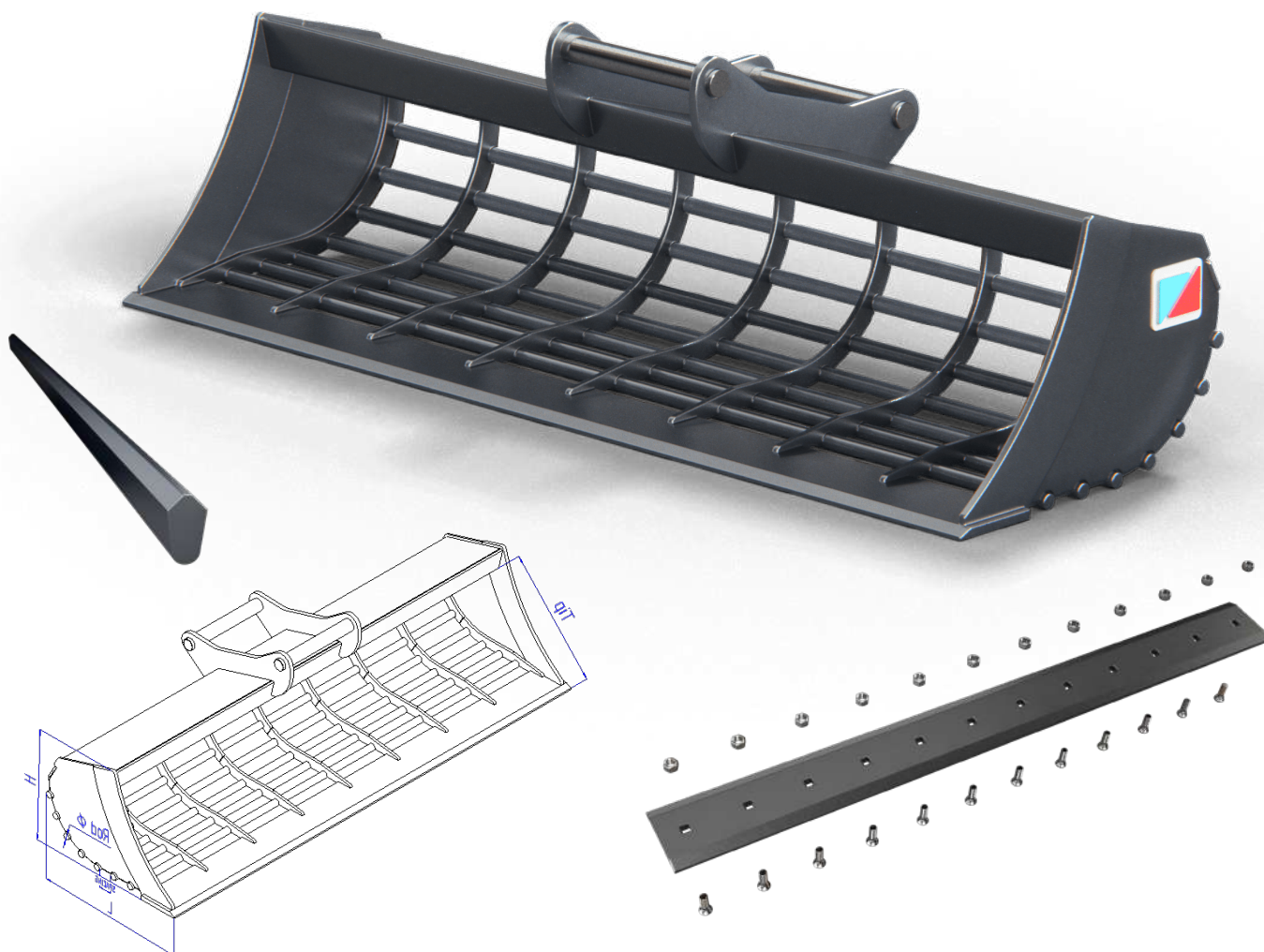
Optional features:

- Side rod reinforcement
- Special HD Hardox rods
- No teeth option
- Removable rods

Model	Machine class [t]	Width [mm]	Weight [kg]	CAP. SAE [l]	Teeth	Height [mm]	Tip [mm]	Length [mm]	Spacing [mm]
RGPR-20	1.2 - 1.8	500	45	55	4	369	368	465	52
RGPR-30	1.8 - 2.5	800	63	109	5	407	404	544	57
RGPR-40	2.5 - 4.0	1000	94	157	5	437	428	573	57
RGPR-60	4.0 - 6.0	1000	156	203	5	461	477	681	60
RGPR-75	6.0 - 7.5	1000	192	263	5	582	589	768	62
RGPR-95	7.5 - 10	1200	220	295	5	611	624	857	60



RGB SKELETON GRADING / SORTING BUCKET



Base features:

- C45 steel round rods
- Side rod reinforcement

Optional features:

- Special shape HD Hardox rods
- HB400 Hardox Reversible Cutting Edge
- Hydraulic tilting version available

Model	Machine class [t]	Width [mm]	Weight [kg]	CAP. SAE [l]	Height [mm]	Tip [mm]	Length [mm]	Spacing [mm]
RGB-30	1.8 - 2.5	1200	77	118	313	329	440	45
RGB-40	2.5 - 4.0	1400	108	200	376	397	525	50
RGB-60	4.0 - 6.0	1400	120	220	396	417	552	50
RGB-90	6.0 - 10	1800	183	340	427	451	593	50
RGB-120	10 - 12	1800	234	415	478	505	662	50
RGB-160	12 - 16	2000	315	593	478	505	662	50



Standard buckets mini-ex set 2

LR - LAND RAKE



Model	Machine class [t]	Width [mm]	Tip radius [mm]
CBR-20	1.2 - 1.8	550	322
CBR-30	1.8 - 2.5	600	416
CBR-40	2.5 - 4.0	600	492
CBR-60	4.0 - 6.0	600	654
CBR-95	6.0 - 10	800	643

Land rakes for excavators: Efficiently clear debris and prepare sites for landscaping or construction.

LRS - LAND RAKE SHORT VERSION



Model	Machine class [t]	Width [mm]	Tip radius [mm]
CBR-20	1.2 - 1.8	550	322
CBR-30	1.8 - 2.5	600	416
CBR-40	2.5 - 4.0	600	492
CBR-60	4.0 - 6.0	600	654
CBR-95	6.0 - 10	800	643

Mini Land Rake: Ideal for tight spaces, this low-profile attachment tackles site prep and debris clearing for mini-excavators.

RR - ROOT RAKE

RRH - ROOT RAKE HYDRAULIC CLAMP



Model	Machine class [t]	Width [mm]	Tip radius [mm]
CBR-20	1.2 - 1.8	550	322
CBR-30	1.8 - 2.5	600	416
CBR-40	2.5 - 4.0	600	492
CBR-60	4.0 - 6.0	600	654
CBR-95	6.0 - 10	800	643

Root Rakes: Powerful excavation tools designed to efficiently clear stubborn roots and debris.

RRH - ROOT RAKE WITH HYDRAULIC CLAMP



Root Grapple Rakes: Conquer tough root removal with hydraulic clamping for superior control and efficiency.

Standard buckets mini-ex set 2

RIP mini - RIPPER



Model	Machine class [t]	Width [mm]	Tip radius [mm]
CBR-20	1.2 - 1.8	550	322
CBR-30	1.8 - 2.5	600	416
CBR-40	2.5 - 4.0	600	492
CBR-60	4.0 - 6.0	600	654
CBR-95	6.0 - 10	800	643

Power through tough ground conditions. Mini-Excavator Rippers maximize productivity for efficient trenching and foundation prep.

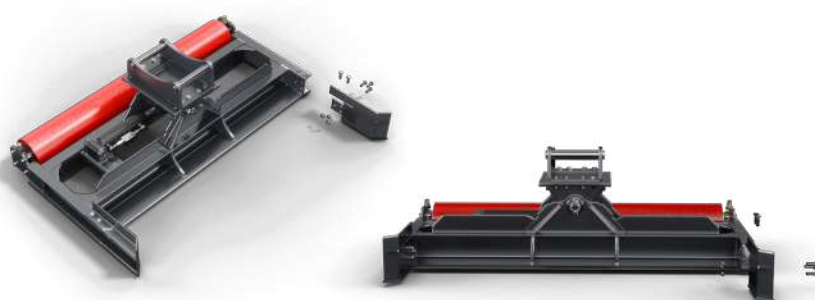
MR mini - MULTI-RIPPER



Model	Machine class [t]	Width [mm]	Tip radius [mm]
CBR-20	1.2 - 1.8	550	322
CBR-30	1.8 - 2.5	600	416
CBR-40	2.5 - 4.0	600	492
CBR-60	4.0 - 6.0	600	654
CBR-95	6.0 - 10	800	643

Increase mini-excavator versatility. Multi-Rippers tackle tough soil & debris, boosting efficiency in site prep applications.

GRB mini - GRADING BEAM



Model	Machine class [t]	Width [mm]	Tip radius [mm]
CBR-20	1.2 - 1.8	550	322
CBR-30	1.8 - 2.5	600	416
CBR-40	2.5 - 4.0	600	492
CBR-60	4.0 - 6.0	600	654
CBR-95	6.0 - 10	800	643

Mini-Excavator Grading Beams: Achieve fast, level finishes for driveways, roads & building pads.

AC mini - ASPHALT CUTTER SYMMETRICAL & ASYMMETRICAL MODELS



Model	Machine class [t]	Width [mm]	Tip radius [mm]
CBR-20	1.2 - 1.8	550	322
CBR-30	1.8 - 2.5	600	416
CBR-40	2.5 - 4.0	600	492
CBR-60	4.0 - 6.0	600	654
CBR-95	6.0 - 10	800	643

Precisely cut through asphalt with **Asphalt Cutter** for mini-excavators. Featuring a **450mm steel disc**, this attachment tackles roadworks, repairs, and utility trenching projects with ease.

LR

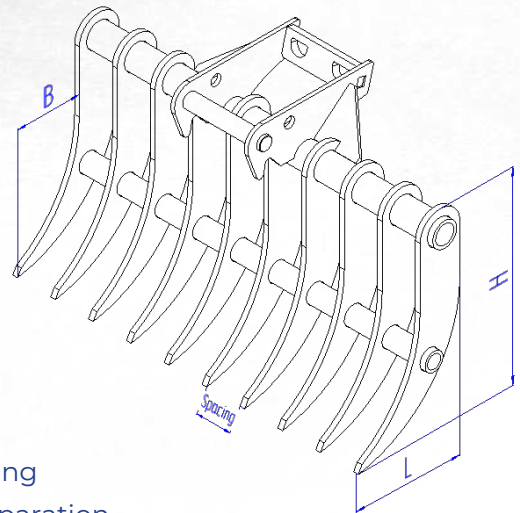
LAND RAKE



Clear land & debris efficiently. The Land Rake for mini-excavators tackles ground clearing, topsoil raking, and material sorting, maximizing site preparation productivity.

The Land Rake for Mini-Excavators is ideal for:

- Land clearing and site preparation
- Removing vegetation and debris
- Topsoil raking and material sorting
- Landscaping projects requiring efficient ground leveling
- Any application demanding fast and effective site preparation



Model	Machine class [t]	Width [mm]	Weight [kg]	Number of legs	Leg thickness [mm]	Spacing [mm]	Height [mm]	B [mm]	Length [mm]
LR-2	0.7 - 1.5	1000	56	12	15	72	400	122	222
LR-2	0.7 - 1.5	1200	66	14	15	75	400	122	222
LR-3	1.5 - 2.5	1000	85	12	15	72	500	155	275
LR-3	1.5 - 2.5	1200	100	14	15	75	500	155	275
LR-4	2.5 - 4.0	1000	127	12	15	72	600	187	331
LR-4	2.5 - 4.0	1200	150	14	15	75	600	187	331
LR-6	4.0 - 6.0	1000	158	11	20	74	650	208	352
LR-6	4.0 - 6.0	1200	187	13	20	75	650	208	352
LR-8	6.0 - 8.0	1000	189	11	20	74	740	243	397
LR-8	6.0 - 8.0	1400	259	15	20	75	740	243	397
LR-10	8.0 - 10	1000	219	11	20	74	800	261	429
LR-10	8.0 - 10	1400	300	15	20	75	800	261	429

DF Direct fit
OEM bracket

SY
MS Reversible

MS

MT
Martin

HQ
HydroQuick

Open-S
system

CW

LRS

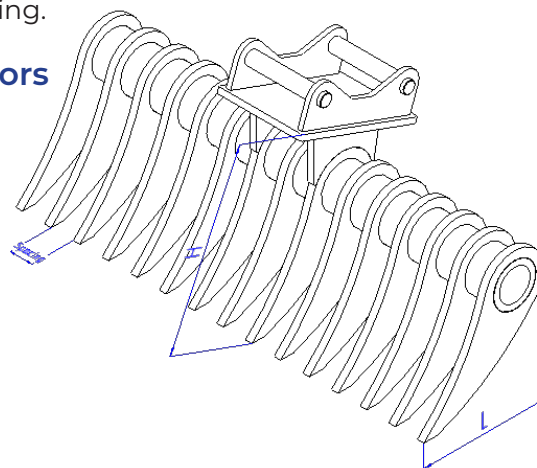
LAND RAKE SHORT MODEL



Maximize Mini-Excavator Maneuverability: The Short/Low Land Rake. Ideal for low-clearance areas & efficient ground leveling.

The Short/Low Land Rake for Mini-Excavators is ideal for:

- Land clearing and site preparation in confined spaces
- Basements, tunnels, and areas with low headroom
- Removing vegetation and debris efficiently
- Topsoil raking and material sorting in tight areas
- Any application demanding maneuverability and effective low-clearance site prep



Model	Machine class [t]	Width [mm]	Weight [kg]	Number of legs	Leg thickness [mm]	Spacing [mm]	Height [mm]	Length [mm]
LRS-2	0.7 - 1.5	665	48	12	15	50	346	275
LRS-3	1.5 - 2.5	925	70	15	15	50	346	275
LRS-5	2.5 - 5.0	1560	130	23	20	50	346	275
LRS-7	5.0 - 7.0	1980	155	29	20	50	346	275
LRS-15	7.0 - 15	1980	380	29	30	50	560	390

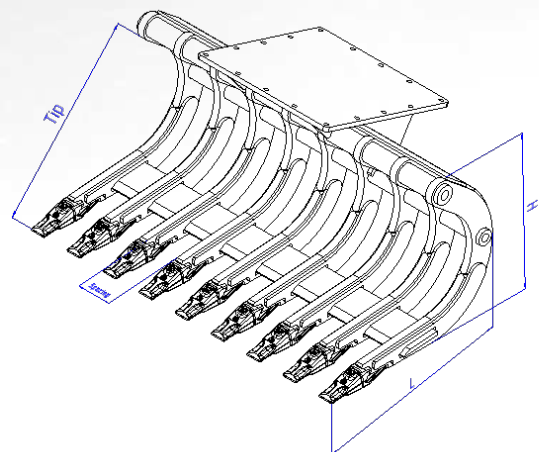
RRH Root Rake Hydraulic Clamp



Equip your mini or midi excavator for the ultimate in land clearing efficiency with the Root Rake with Clamp attachment. This innovative attachment combines powerful root removal with a hydraulic clamp for exceptional control and sorting of debris. The robust design tackles even the most stubborn roots, minimizing soil disturbance and maximizing productivity for any project requiring thorough ground preparation.

The Mini & Midi Excavator Root Rake with Clamp is ideal for:

- Land clearing and site preparation with challenging root systems
- Efficient removal of roots, brush, and debris of all sizes
- Precise sorting and control of cleared materials
- Landscaping projects requiring thorough ground prep with minimal impact
- Any application demanding powerful root removal with superior control



DF Direct fit
OEM bracket

SY
MS Reversible

MS

MT
Martin

HQ
HydroQuick

Open-S
system

CW

RR

Root Rake



Conquer Land Clearing Challenges with Ease: The Mini-Excavator Root Rake

Equip your mini-excavator to tackle demanding land clearing tasks with the Root Rake attachment. This robust attachment efficiently removes unwanted roots, brush, and debris, minimizing soil disturbance and maximizing productivity for any project requiring thorough ground preparation.

The Mini-Excavator Root Rake is ideal for:

- Land clearing and site preparation
- Efficient removal of roots, brush, and debris
- Landscaping projects requiring thorough ground prep
- Streamlining workflows in land development
- Any application demanding powerful root removal with minimal soil impact

Optional features:

- Bolt-on sides to transform Root Rake into Bucket
- Hardox legs
- Bolt-on bracket

Upgrade your mini-excavator's capabilities and conquer land clearing challenges with the Root Rake.

Contact us today to explore the perfect fit for your machine!

Model	Machine class [t]	Width [mm]	Weight [kg]	Number of legs	Teeth	Leg thickness [mm]	Spacing [mm]	Height [mm]	Tip [mm]	Length [mm]
RR - 5	2.5 - 5.0	750	80	3	E701	20	327	440	509	539
RR - 5	2.5 - 5.0	750	98	5	E701	20	154	440	509	539
RR - 5	2.5 - 5.0	1000	118	6	E701	20	169	440	509	539
RR - 10	5.0 - 10	1200	87	6	E701	12	207	440	509	545
RR - 10	5.0 - 10	1500	117	9	E701	12	158	440	509	545
RR - 10	5.0 - 10	1800	148	12	E701	12	136	440	509	545

RIP-mini Ripper Shank for mini- & midi-excavator

Base features:

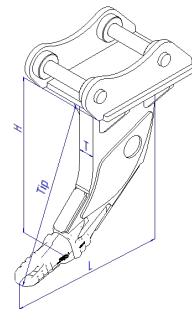
- **Two versions:** Hardox body / S355 body + HB wear pads
- **Reinforced top** plate
- High-strength **ripper teeth**
- Strong and robust design, proper **dimensions and angle**

Optional features:

- Hardox wear plates
- Sharpened body
- Other types of teeth



Model	Machine class [t]	Weight [kg]	Length [mm]	Tip [mm]	Height [mm]	T [mm]	Tooth
Ripper-2.5	0.8 - 2.5	21	409	431	387	35	V13
Ripper-5.5	2.5 - 5.5	51	524	543	480	60	V19
Ripper-10	5.5 - 10	98	586	740	673	60	V23
Ripper-14	10 - 14	221	785	910	880	75	V23



MR-mini Multi-Ripper Fleco for mini- & midi-excavator

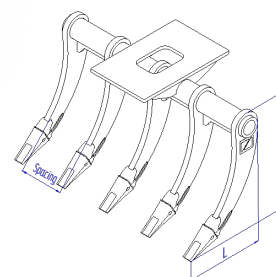


Base features:

- Hardox legs
- Reinforcement under the tube
- High-strength teeth CAT / BYG / ESCO
- Top plate ready for welding
- Strong and robust design

Optional features:

- Top plate for bolt-on bracket
- Hardox wear plates on legs



Model	Machine class [t]	Width [mm]	Height [mm]	Lenght [mm]	Weight [kg]	Number of legs	Teeth	Leg thickness [mm]	Spacing [mm]
MRF 25	1.2 - 2.5	400	401	301	36	3	E701	20	156
MRF 40	2.5-4.0	600	465	319	62	4	E701	20	183
MRF 40	2.5-4.0	800	465	319	69	4	E701	20	230
MRF 75	4.0-7.5	800	554	381	117	5	J200	25	185
MRF 75	4.0-7.5	1000	554	381	121	5	J200	25	210
MRF 140	7.5-14.0	1000	710	505	221	6	J200	30	186
MRF 140	7.5-14.0	1200	710	505	228	6	J200	30	196

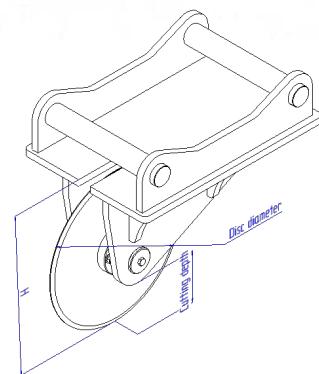


ACA ASYMMETRICAL ASPHALT CUTTER



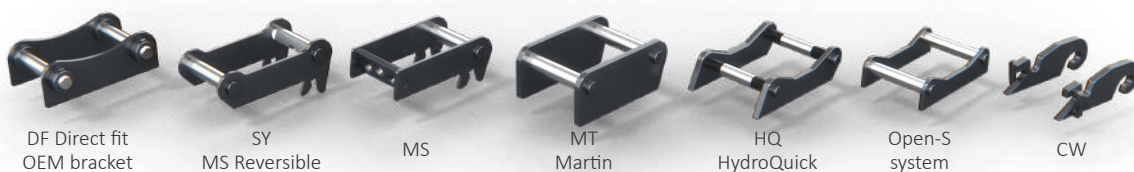
Base features:

- Sharp, 450 mm Hardox cutting disc: Delivers clean, precise cuts
- High Cutting Depth to meet specific project requirements.
- Exchangeable bushings and disc
- Extra low design thanks to cut out for disc on top of bracket plate
- Robust & durable construction



Optional features:

- Custom disc size



ACS

SYMMETRICAL ASPHALT CUTTER

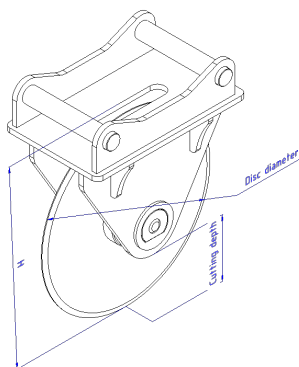


Conquer Asphalt Challenges with Mini & Midi Excavators: The Asphalt Cutter

Transform your mini or midi excavator into a versatile asphalt-cutting powerhouse with the Asphalt Cutter attachment. Featuring a robust 450mm steel disc, this attachment tackles various asphalt applications with unmatched efficiency and control on projects of any size.

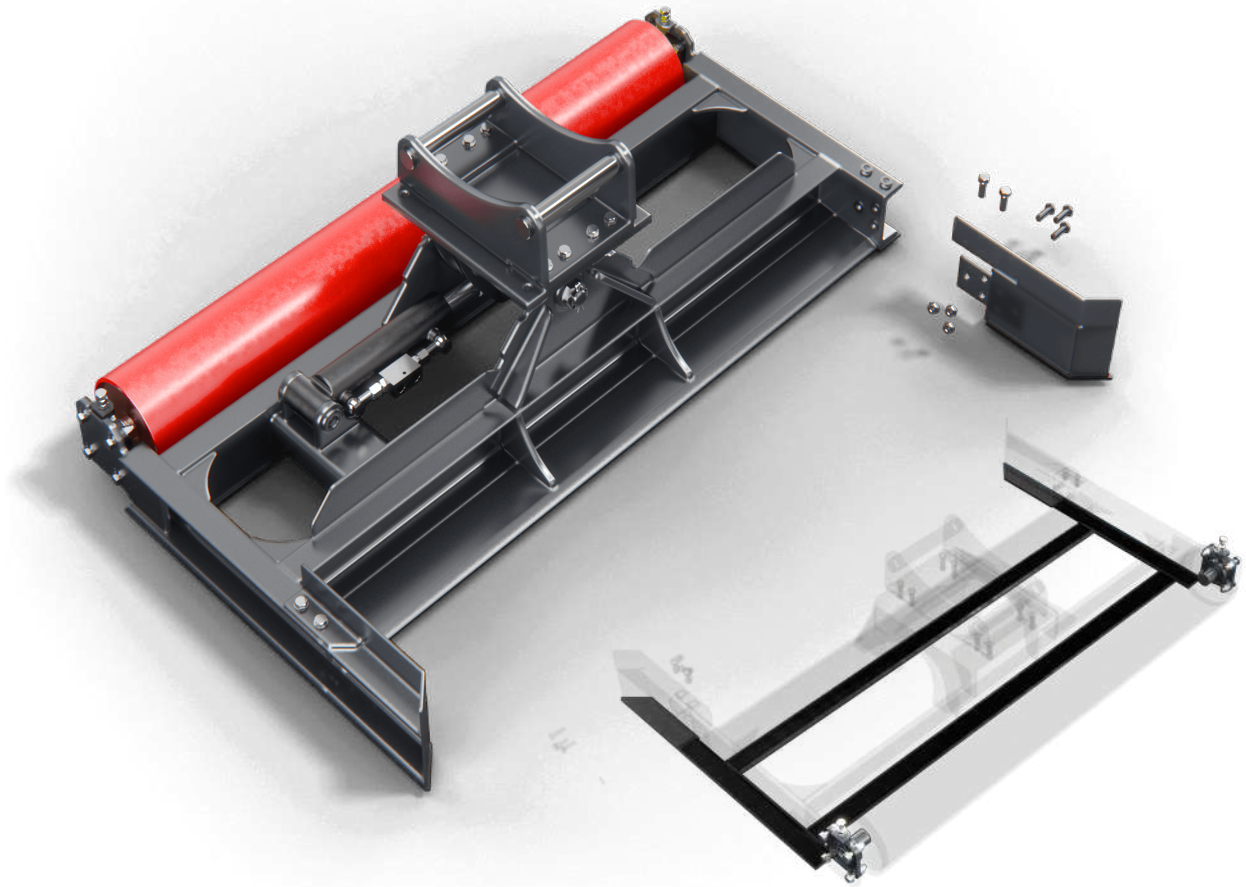
The Asphalt Cutter for Mini & Midi Excavators is ideal for:

- Road repair and maintenance projects (mini & midi excavators excel in confined spaces)
- Utility trenching in asphalt surfaces
- Sidewalk and curb cutting applications
- Precise asphalt removal for landscaping or construction projects on smaller sites
- Any task requiring clean and efficient asphalt cutting, suited for the reach and power of mini & midi excavators



Model	Machine class [t]	Weight [kg]	Disc diameter [mm]	Cutting depth [mm]	Height [mm]
AC-6	2.0 - 6.0	43	450	150	459
AC-10	6.0 - 11	67	450	150	462
AC-12	7.0 - 12	67	450	150	462

GRB Grading & Levelling Beams



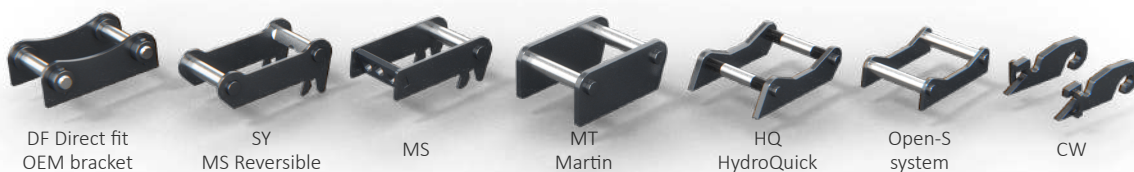
Grading Beams are a useful attachment for mini excavators that can help achieve a flat surface before further ground work. They are available in different widths and come with different tilting and roller options. Excavator grading beams are **more precise than a standard grading bucket** and are designed to be wide and flat to give you both a large working width and great visibility.

Key features:

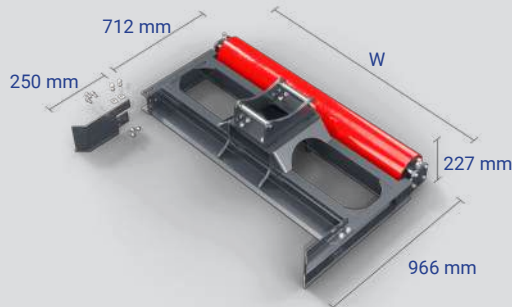
- Rugged **steel roller**
- **HB500 Cutting Edge**
- **Tiltrotator Compatible**
- **Adjustable Roller**, both up & down
- **High-Quality Bearings**
- Bearing to Roller **Connection secured from mechanical damage**

Optional features:

- **Basic version:** no roller
- **Premium version:** hydraulic tilting
- **Bolt-On Bracket / Adapter**
- 250 mm Extendable **Side Beams**
- Mounting spot for **level measuring** device
- Hydraulic **cylinder guard**
- **HB500 Wear Bars** on bottom



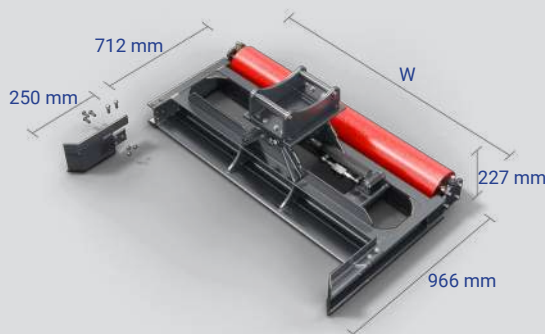
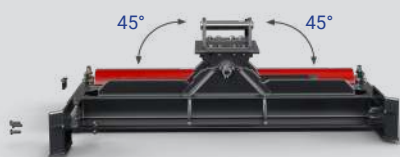
Standard model - rigid with roller



Standard version with a roller on bearings allowing smooth operation. Roller's height can be adjusted.

Model	Machine class [t]	Width [mm]	Weight [kg]	Height [mm]	Length [mm]	Extended length [mm]	Roller diameter [mm]
GRB mini S	2.5 - 10	1000	140	227	712	966	194
GRB mini S	2.5 - 10	1500	182	227	712	966	194

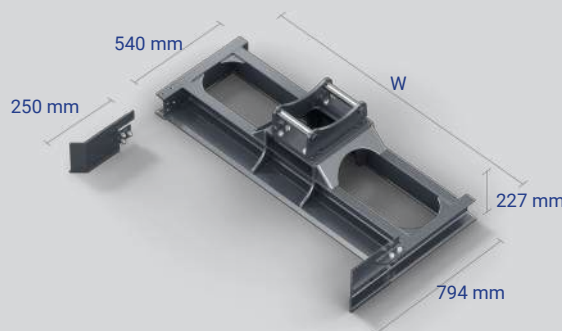
Hydraulic-tilting model with roller



Most versatile and robust version. Everything in standard plus. Tilts up to 45 degrees each side. Double pilot check valve for maximum safety and for holding exact angle.

Model	Machine class [t]	Width [mm]	Weight [kg]	Height [mm]	Length [mm]	Extended length [mm]	Roller diameter [mm]
GRB mini H	2.5 - 10	1000	216	351	712	966	194
GRB mini H	2.5 - 10	1500	261	351	712	966	194

Basic model - rigid without roller



Basic, economic version of the grading bar. Features no roller, so no adjustments are possible. Still very usable in less demanding tasks.

Model	Machine class [t]	Width [mm]	Weight [kg]	Height [mm]	Length [mm]	Extended length [mm]
GRB mini B	2.5 - 10	1000	91	227	540	794
GRB mini B	2.5 - 10	1500	132	227	540	794