

## ACa ASYMMETRICAL ASPHALT CUTTER

## ACs SYMMETRICAL ASPHALT CUTTER

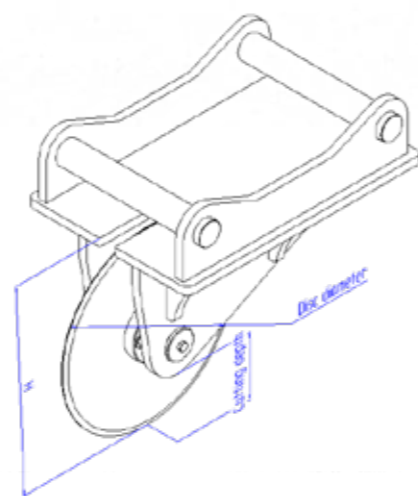


**Precise Asphalt Cutting: The Excavator Asphalt Cutter. Tackle road repairs, utility trenches, & more with clean cuts from a robust steel disc. Available in symmetrical & asymmetrical disc configurations.**

### Key Features:

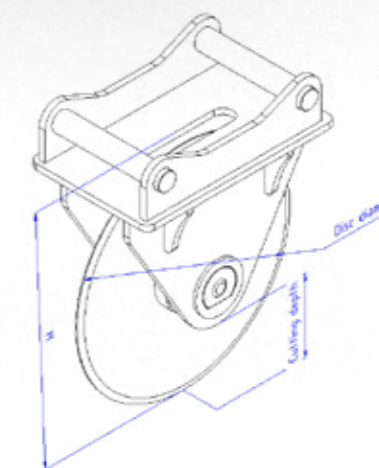
- Sharp Steel Disc
- Adjustable Cutting Depth
- Symmetrical & Asymmetrical Disc Configurations

**Transform your excavator into a versatile asphalt-cutting powerhouse with the AC Excavator Asphalt Cutter.** Featuring a robust steel disc, this attachment tackles various asphalt applications with unmatched efficiency and control on projects of any size. Choose from symmetrical or asymmetrical disc configurations to perfectly suit your specific cutting needs.



### The Excavator Asphalt Cutter is ideal for:

- Road repair and maintenance projects
- Utility trenching in asphalt surfaces
- Sidewalk and curb cutting applications
- Precise asphalt removal for landscaping or construction projects on smaller sites
- Any task requiring clean and efficient asphalt cutting, suited for the reach and power of excavators



**Upgrade your excavator's capabilities and conquer asphalt challenges with the AC Excavator Asphalt Cutter. Contact us today to discuss your project needs and choose the perfect disc configuration!**

Model	Machine class [t]	Weight [kg]	Disc diameter [mm]	Cutting depth [mm]	Height [mm]	Adapter
AC-18	12 - 18	99	450	150	467	S60   MS10   CW20   OQ60, OQ65   M18   S1   SW33
AC-30	19 - 30	165	450	150	472	S70   MS21   CW30, CW40   OQ70   M26   S2   SW48