

CB HYDRAULIC CLAMP / GRAB BUCKET

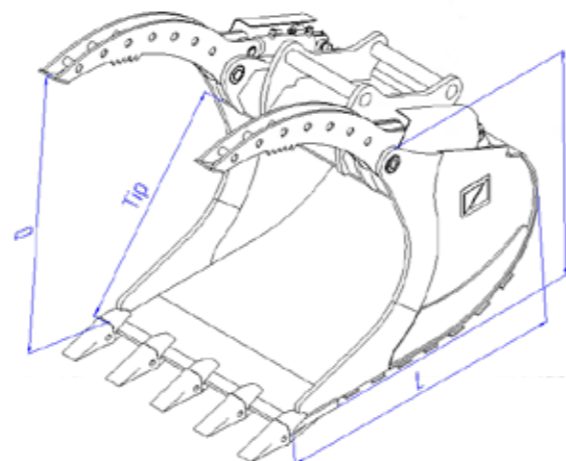


Unleash Multitasking Power: The CB Hydraulic Clamp Bucket. Grab, Sort & Transport with Ease. Double pilot check valve ensures work-holding & safety.

Key Features:

- **Powerful Hydraulic Clamp:** Ensures secure grabbing and handling of various materials.
- **Versatile Functionality:** Ideal for grabbing, sorting, transporting, and more.
- **Double Pilot Check Valve (Standard):** Prioritizes safety with secure work-holding.
- **Durable Construction** for Long Service Life
- Available teeth systems: **CAT J series, BYG Futura, ESCO UltraLok**

Equip your excavator for superior versatility and take on diverse material handling tasks with the CB Hydraulic Clamp Bucket. This innovative attachment goes beyond traditional digging, offering exceptional functionality for grabbing, sorting, and transporting a wide range of materials. From laying pipes and transporting tree trunks to handling large stones and debris, the CB Clamp Bucket maximizes efficiency and streamlines workflows on any project.



The CB Hydraulic Clamp Bucket is ideal for:

- Loading, unloading, and sorting various materials (rocks, pipes, debris, tree trunks, etc.)
- Landscaping projects requiring precise material placement and transport
- Construction applications demanding a versatile attachment for diverse tasks
- Streamlining workflows in confined spaces or on complex jobsites
- Any project requiring a secure and efficient solution for material handling

Upgrade your excavator's capabilities and conquer diverse challenges with the CB Hydraulic Clamp Bucket. Contact us today to explore the possibilities!

Model	Machine class [t]	Width [mm]	Weight [kg]	Capacity [dm ³]	Teeth	Height [mm]	Tip [mm]	Length [mm]	E [mm]	D [mm]	Quick coupler brackets
CBR-120	10 - 12	1000	355	430	5	843	820	1142	1100	750	S60, MS10, CW20, OQ60, M18, SW33
CBR-190	12 - 19	1200	631	803	5	1010	1127	1479	1400	900	S70, MS10, CW30, OQ65, M18, S1, SW33
CBR-260	19 - 26	1200	1100	1071	5	1240	1143	1597	1700	1100	S70, MS21, CW40, OQ70, M26, S2, SW48