

DB DIGGING BUCKET FOR FULL-SIZE EXCAVATOR

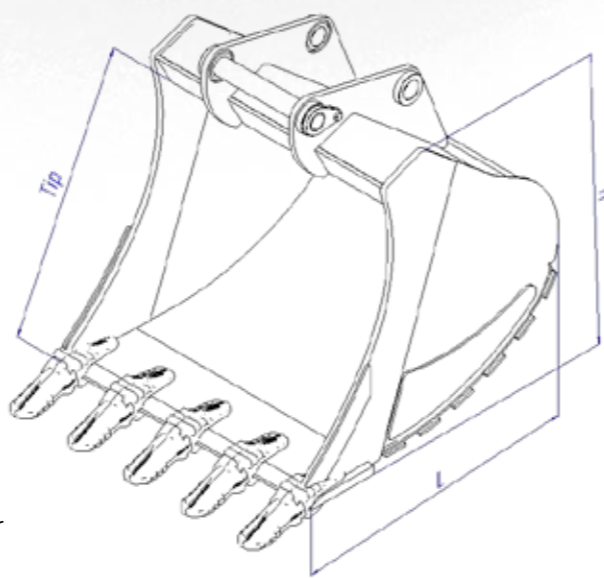


Maximize Excavator Efficiency: The DB Excavator Digging Bucket. Tackle demanding digging projects with superior capacity and durability.

Key Features:

- **Large Capacity** for Efficient Material Handling
- **Durable Construction** for Long Service Life
- Optimized Design for Hydraulic Power Efficiency - **Double Radius & Double Conical design**
- Available in **Economy** (up to 24 t), **Standard, Heavy Duty** (24 t +) versions
- **Rock version** available
- Available teeth systems: **CAT J series, BYG Futura, ESCO UltraLok**

Equip your excavator for peak performance on any excavation project with the DB Excavator Digging Bucket. This robust attachment delivers exceptional capacity and durability, conquering challenging digging tasks with ease. Engineered for optimal performance with your excavator's hydraulic system, it maximizes productivity and minimizes downtime.



The DB Excavator Digging Bucket is ideal for:

- Large-scale excavation projects (foundations, basements, trenches)
- Efficient loading and transporting of bulk materials (dirt, rock, debris)
- Construction and demolition applications requiring heavy-duty digging
- Mining and quarrying operations
- Any task demanding exceptional digging power and capacity
- Direct fit, SW and CW brackets

Upgrade your full-size excavator's capabilities and conquer demanding excavation challenges with the DB Excavator Digging Bucket. Contact us today to discuss your project needs and choose the perfect bucket size for your machine!

	DB-120	DB-160	DB-190	DB-230	DB-300	DB-400	DB-500
Machine class [t]	10 - 12	12 - 16	16 - 19	19 - 23	23 - 30	30 - 40	40 - 50
L / H / Tip	916/866/780	1046/989/892	1203/1138/1028	1249/1177/1069	1308/1235/1119	1547/1391/1278	1665/1565/1420
Width[mm] / Teeth	SAE / KG	SAE / KG	SAE / KG	SAE / KG	SAE / KG	SAE / KG	SAE / KG
400 / 3	139 / 156						
500 / 3	190 / 178	225 / 248					
600 / 3	244 / 200	292 / 276	374 / 350	391 / 420			
800 / 4	356 / 244	434 / 337	557 / 424	582 / 502	628 / 655		
1000 / 5	475 / 288	584 / 396	751 / 497	786 / 583	848 / 766	1082 / 957	
1200 / 5	597 / 332	740 / 455	955 / 570	1001 / 664	1079 / 878	1376 / 1088	
1400 / 6			1164 / 643	1222 / 746	1325 / 989	1682 / 1219	1988 / 1515
1500 / 6				1335 / 787	1447 / 1044	1839 / 1285	2176 / 1593
1600 / 6					1569 / 1100	1967 / 1348	2367 / 1672
1800 / 6						2288 / 1480	2755 / 1829
Teeth	J250, V19, U20	J300, V23, U30	J300, V23, U30	J300, V29, U30	J350, V33, U35	J350, V33, U35	J400, V39, U40
Quick coupler brackets	CW20 SW33	CW20 SW33	CW20 SW33, SW48	CW30 SW33, SW48	CW30, CW40 SW48	CW45 SW48, SW66	CW55 SW66