

DSX NORDIC HEAVY DUTY DIGGING BUCKET



Power Through Demanding Conditions: The DSX Nordic Heavy Duty Digging Bucket. Hardox 450 construction tackles tough jobs, maximizing excavator performance in extreme applications.

Key Features:

- **Hardox 450** Steel for Unmatched Durability
- Optimized Design for **Extreme Applications**
- **Superior Digging Performance** in Demanding Conditions
- Fits Most Excavator Models
- Available teeth systems: **CAT J series, BYG Futura, ESCO UltraLok**

Equip your excavator for peak performance in the most challenging environments with the Nordic Heavy Duty Digging Bucket. Constructed from ultra-high-strength Hardox® 450 steel, this attachment delivers exceptional wear resistance and durability, making it the perfect choice for tackling tough digging projects.

Hardox in My Body Certification (option):

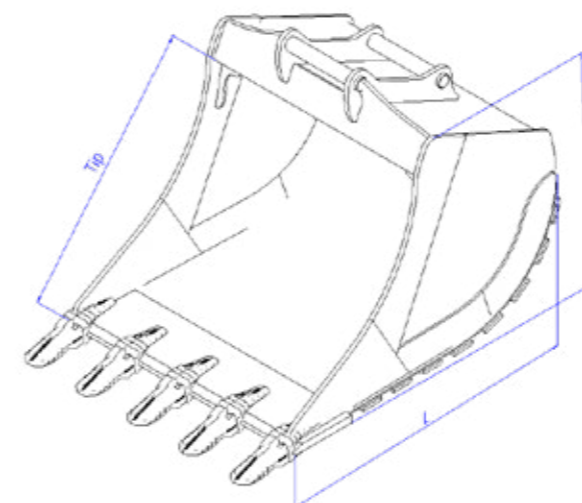
This bucket is designed and can be manufactured to meet the stringent requirements of the Hardox® In My Body certification program, guaranteeing the use of genuine Hardox® steel for maximum performance and extended service life.



The Nordic Heavy Duty Digging Bucket is ideal for:

- Extreme digging conditions (rocky terrain, abrasive materials)
- Demolition and heavy-duty excavation projects
- Applications requiring maximum uptime and minimal maintenance
- Quarries and mines where durability is paramount
- Any project demanding a bucket built to conquer the toughest challenges

Upgrade your excavator's capabilities and conquer extreme digging conditions with the Nordic Heavy Duty Digging Bucket. Contact us today to explore the Hardox® advantage!



	DS-HD-190	DS-HD-250	DS-HD-300	DS-HD-400
Machine class [t]	14 - 19	19 - 25	25 - 30	30 - 40
L / H / Tip	1450/1040/1125	1537/1103/1194	1645/1177/1274	1688/1208/1306
Width[mm] / Teeth	SAE / KG	SAE / KG	SAE / KG	SAE / KG
800 / 4	570 / 505	615 / 642	678 / 755	
1000 / 5	771 / 592	837 / 745	922 / 879	921 / 952
1200 / 5	982 / 679	1070 / 847	1178 / 1002	1187 / 1083
1400 / 6				1462 / 1214
Teeth	J350, V29, U30	J350, V33, U35	J400, V39, U40	J400, V39, U40
Quick coupler brackets	S60 MS10 OQ65 S1	S70 MS21 OQ70 S2	S70 MS21 OQ70, OQ70-55 S2	S80 MS25 OQ80 S3