

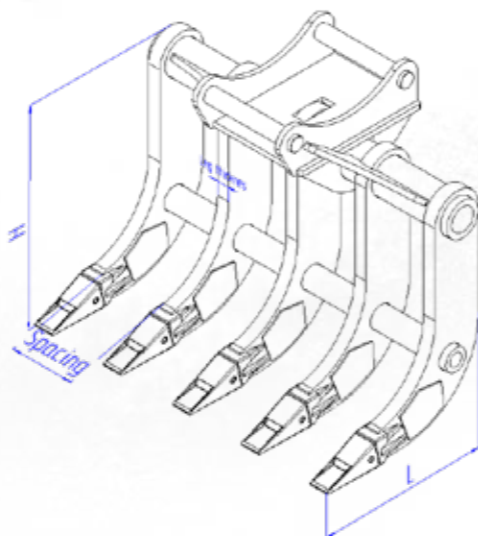
MR MULTI-RIPPER FOR EXCAVATOR



Boost Large Excavator Productivity: MR Multi-Rippers

Key Features:

- **High Penetration Power:** shank design delivers superior ripping force, tackling tough soil, rock, and frozen ground efficiently.
- **Increased Fragmentation:** MR Multi-Rippers create smaller, more manageable material for faster processing and loading.
- Available teeth systems: **CAT J series, BYG Futura, ESCO UltraLok**



Model	Machine class [t]	Width [mm]	Height [mm]	Length [mm]	Weight [kg]	Number of legs	Leg thickness [mm]	Spacing [mm]	Teeth	Quick coupler brackets
MR-17	11 - 17	1300	727	632	415	5	40	264	J250, V19, U20	S60 MS10 CW20 OQ60, OQ65 M18 S1 SW33
MR-22	18 - 22	1300	856	674	546	5	50	252	J300, V29, U30	S70 MS21 CW30 OQ65, OQ70 M26 S1, S2 SW33, SW48
MR-26	23 - 26	1300	935	772	734	5	50	252	J350, V33, U35	S70 MS21 CW30 OQ70 M26 S2 SW48
MR-32	27 - 32	1300	1020	829	994	5	60	240	J400, V39, U40	S70 MS25 CW40, CW45 OQ70-55 S3 SW48



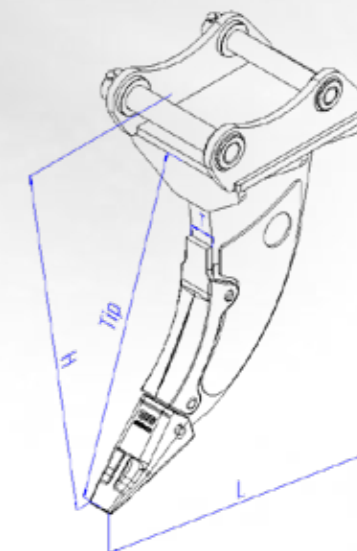
RIP RIPPER WITH PROTECTOR FOR EXCAVATOR



Break Up Tough Ground: Large Excavator Rippers

Key Features:

- **Powerful Penetration:** Designed for superior ripping force, the single shank tackles tough soil, rock, and frozen ground efficiently.
- **Improved Efficiency:** Excavator Rippers fracture material for easier processing and loading, streamlining your workflow.
- **Durable Construction:** Built with high-strength materials to withstand demanding jobs and minimize wear.



Model	Machine class [t]	Weight [kg]	Length [mm]	Tip [mm]	Height [mm]	T [mm]	Tooth	Quick coupler brackets
Ripper-C	14 - 18	280	823	991	928	75	9W-2451	S60 MS10 CW20 OQ65 M18 S1 SW33
Ripper-D	19 - 29	403	923	1114	1058	75	9W-2451	S70 MS21 CW30, CW40 OQ70, OQ70-55 M26 S2 SW48
Ripper-E	30 - 40	490	893	1204	1170	75	9W-2451	S80, MS25, CW45, OQ80, S3, SW48
Ripper-H	40 - 65	684	1063	1425	1402	75	9W-2451	S90 CW55 OQ90 SW66

