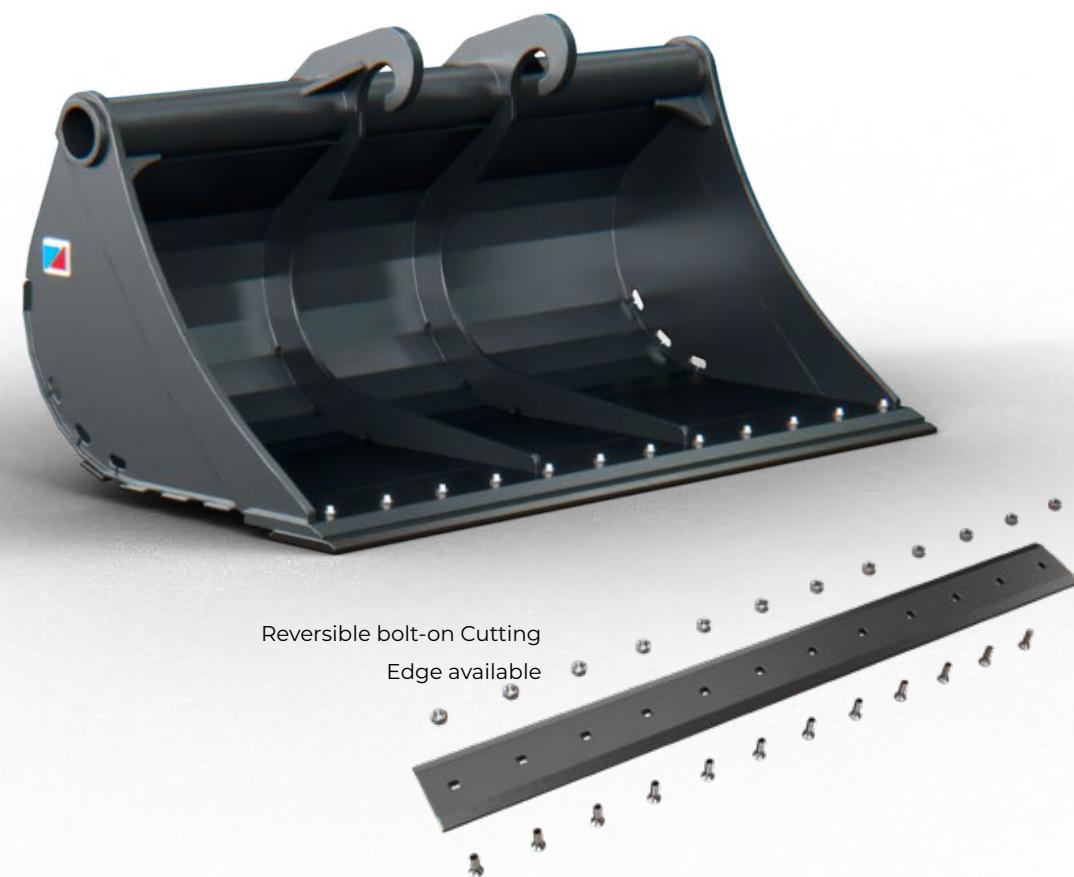


SB DITCHING/GRADING BUCKET DUTCH PROFILE

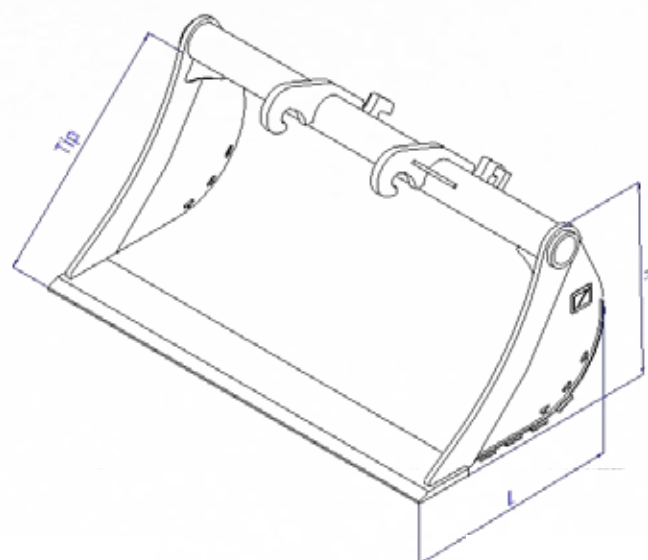


Boost Clay Handling Efficiency: The Dutch Profile Ditching & Grading Bucket. Wider opening facilitates smooth discharge of sticky soils, ideal for efficient grading & ditching.

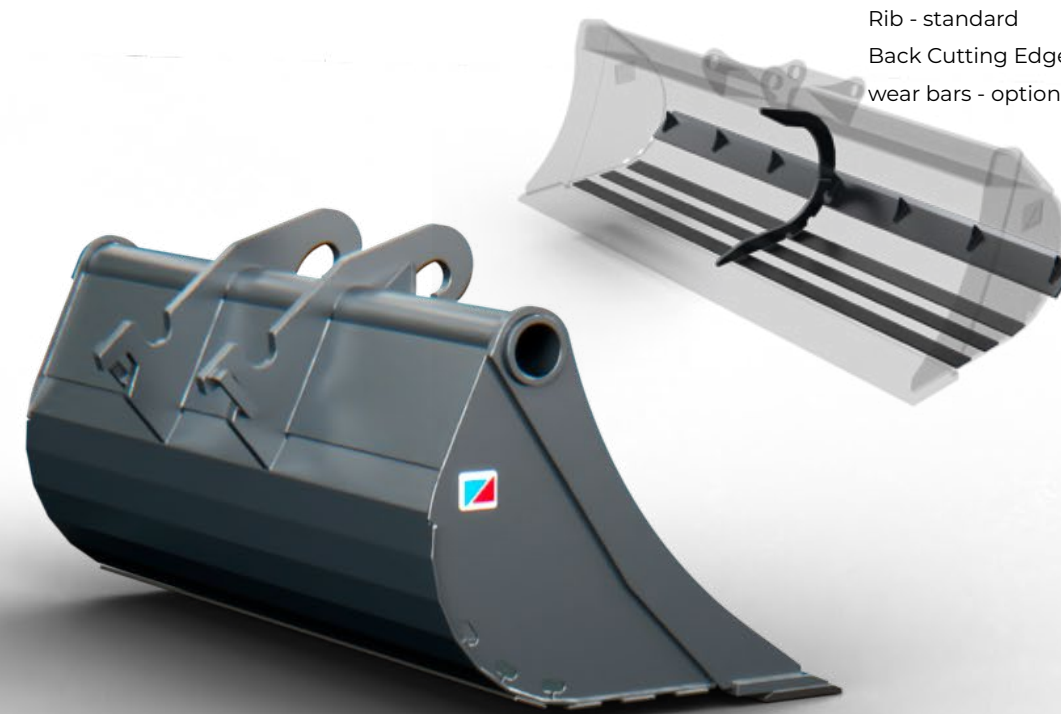
Key Features:

- Dutch Profile for **Efficient Clay Handling**
- **Optimized Design** for Grading & Ditching
- **Durable Construction** for Long Service Life
- **Back welded Cutting Edge** - optional
- **Horizontal wear bars** - optional
- **Reversible Bolt-on Cutting Edge** - optional

Equip your excavator for peak performance in clay-heavy applications with the Dutch Profile Ditching & Grading Bucket. Featuring a wider bucket opening, this innovative attachment facilitates the smooth discharge of sticky soils, minimizing downtime and maximizing efficiency on grading and ditching projects.



Rib - standard
Back Cutting Edge, Horizontal wear bars - optional



The Dutch Profile Ditching & Grading Bucket is ideal for:

- Grading and ditching projects in clay-heavy or sticky soil conditions
- Drainage, utility line, and irrigation ditching applications
- Road construction and maintenance projects encountering clay soils
- Landscaping applications requiring efficient material handling
- Any project demanding a bucket optimized for smooth clay discharge

Upgrade your excavator's capabilities and conquer grading and ditching challenges in clay-heavy environments with the Dutch Profile Ditching & Grading Bucket. Contact us today to explore the perfect fit for your machine!

	SB-160	SB-190	SB-230	SB-260	SB-300	SB-400
Machine class [t]	12 - 16	16 - 19	19 - 23	23 - 26	26 - 30	30 - 40
L / H / Tip	842/710/830	894/764/900	965/826/957	1030/875/1030	1149/1000/1155	1232/1063/1237
Width [mm]	SAE / KG	SAE / KG	SAE / KG	SAE / KG	SAE / KG	SAE / KG
1500	583 / 357					
1600	628 / 376	731 / 394	820 / 479			
1800	717 / 414	836 / 434	938 / 527	1077 / 553	1346 / 773	
2000	807 / 453	940 / 474	1057 / 574	1214 / 602	1520 / 840	1739 / 889
2200		1045 / 513	1176 / 622	1351 / 652	1695 / 908	1940 / 960
2400				1489 / 701	1870 / 976	2141 / 1030
2500					1957 / 1009	2242 / 1065
Quick coupler brackets	CW20 SW33	CW20, CW30 SW33	CW30 SW33, SW48	CW30, CW40 SW48	CW40 SW48	CW45 SW66